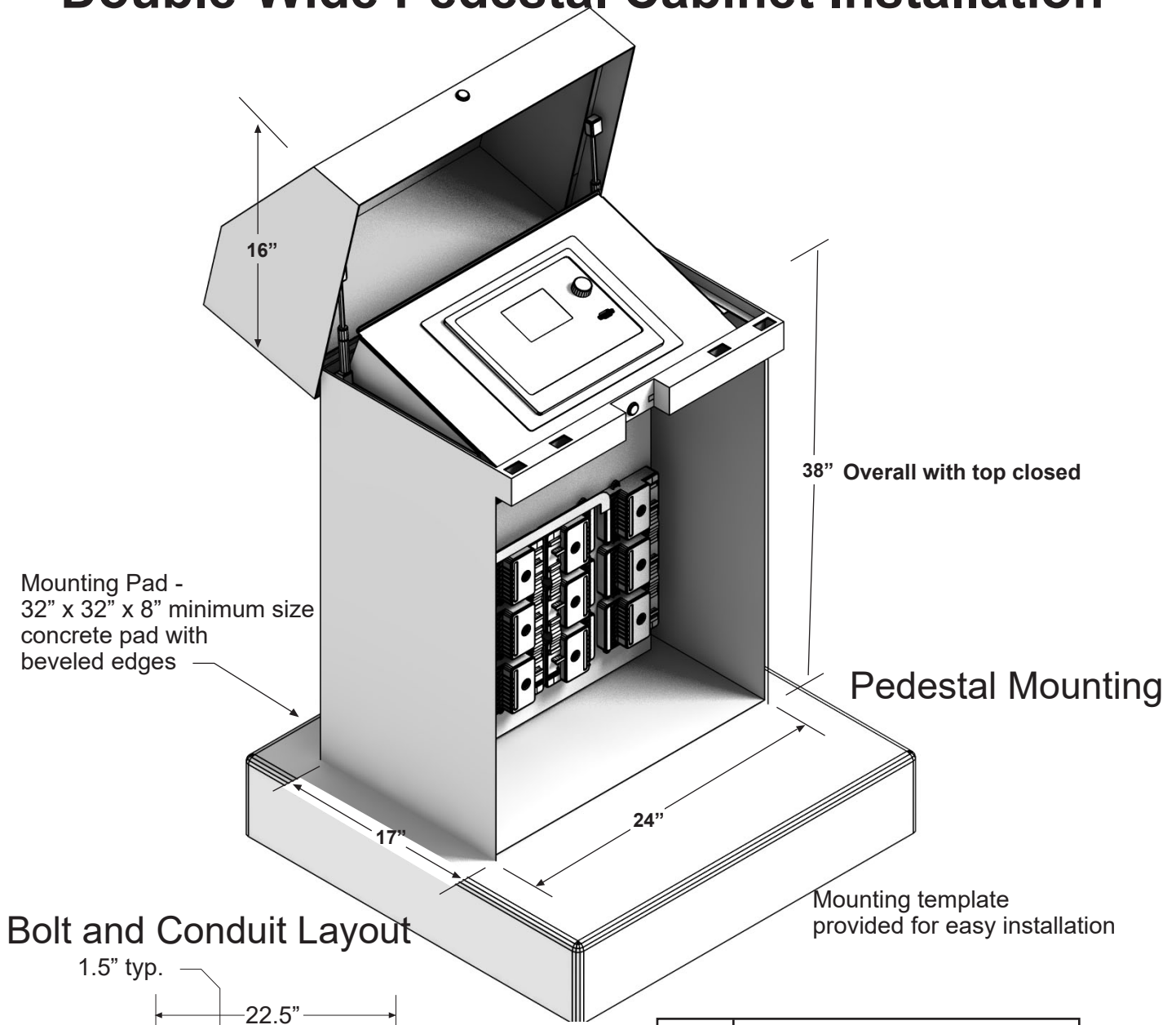
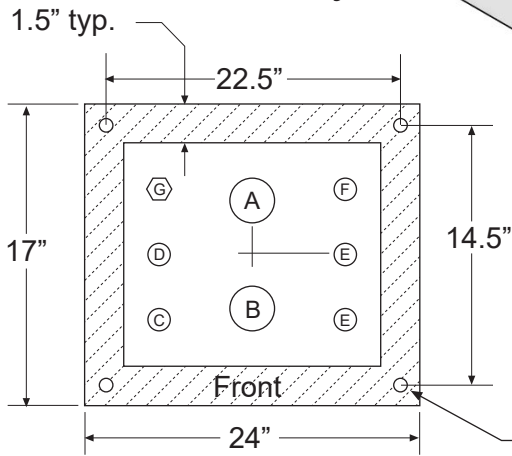


# DXi Stainless Steel Double-Wide Pedestal Cabinet Installation



## Bolt and Conduit Layout



Item	Description
A, B	2" conduit - station wiring
C	1" conduit - communication
D	AC power conduit
E	1" conduit - sensor wiring
F	External antenna
G	Conduit ground rod

RMIS Part No. 500504 Rev. D



5825 Jasmine Street  
Riverside, CA 92504  
800-777-1477  
irrigationsupport@toro.com