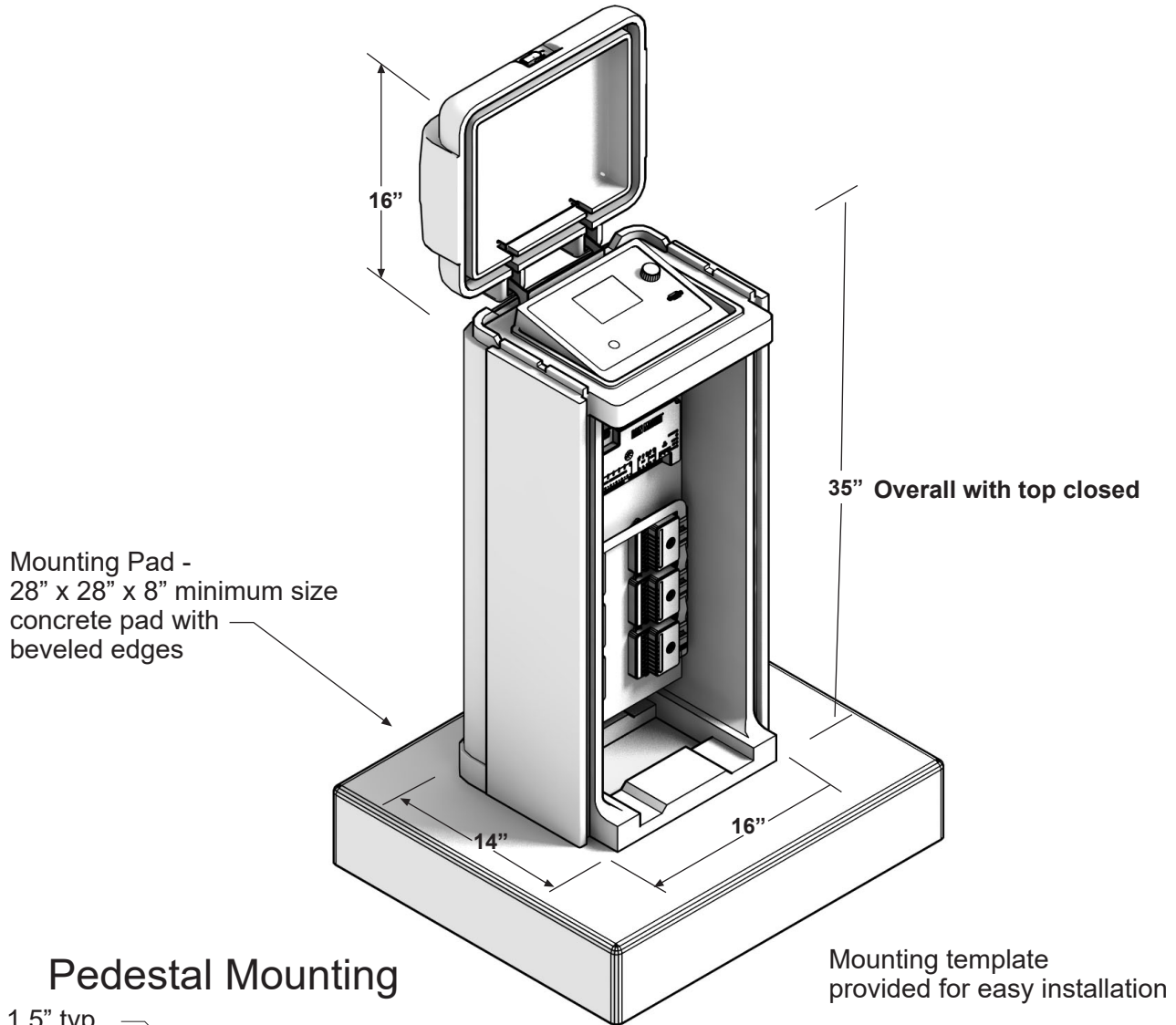
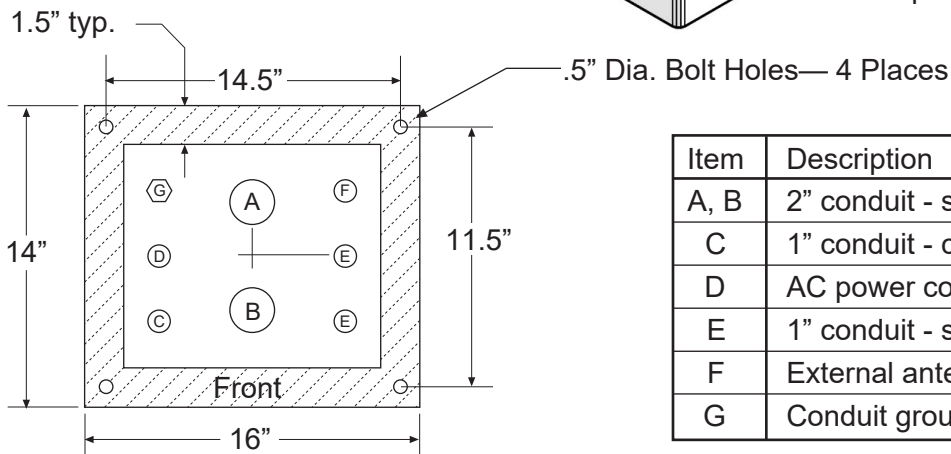


# DXi Plastic Pedestal Cabinet Installation



## Pedestal Mounting



Item	Description
A, B	2" conduit - station wiring
C	1" conduit - communication
D	AC power conduit
E	1" conduit - sensor wiring
F	External antenna
G	Conduit ground rod

## Bolt and Conduit Layout

RMIS Part No. 500502 Rev. D



5825 Jasmine Street  
 Riverside, CA 92504  
 800-777-1477  
 irrigationsupport@toro.com