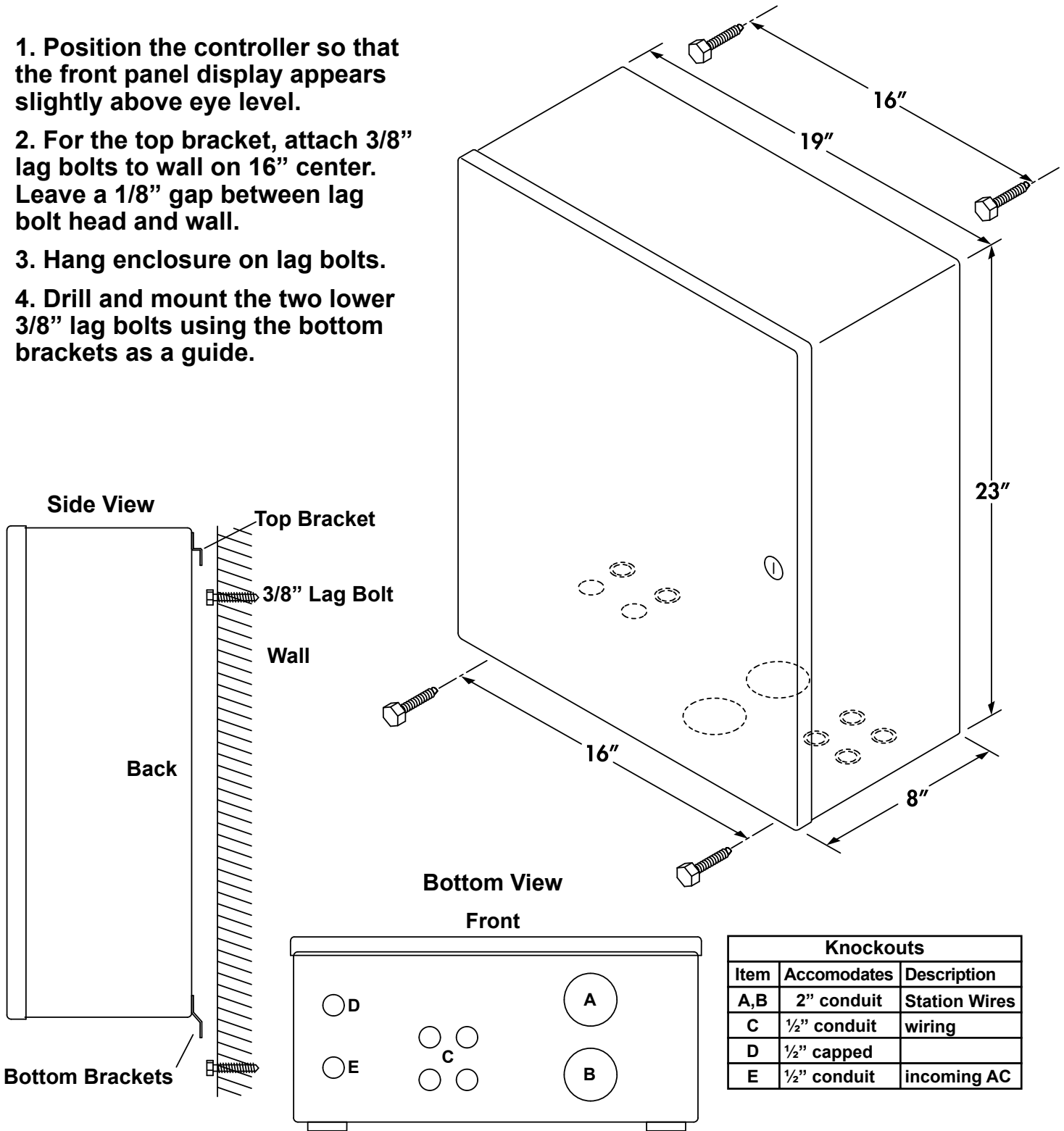


DXi Painted Steel Wall-Mount Installation

1. Position the controller so that the front panel display appears slightly above eye level.
2. For the top bracket, attach 3/8" lag bolts to wall on 16" center. Leave a 1/8" gap between lag bolt head and wall.
3. Hang enclosure on lag bolts.
4. Drill and mount the two lower 3/8" lag bolts using the bottom brackets as a guide.



RMS Part No.500505 Rev. A



5825 Jasmine Street
Riverside, CA 92504
800-777-1477
irrigationsupport@toro.com