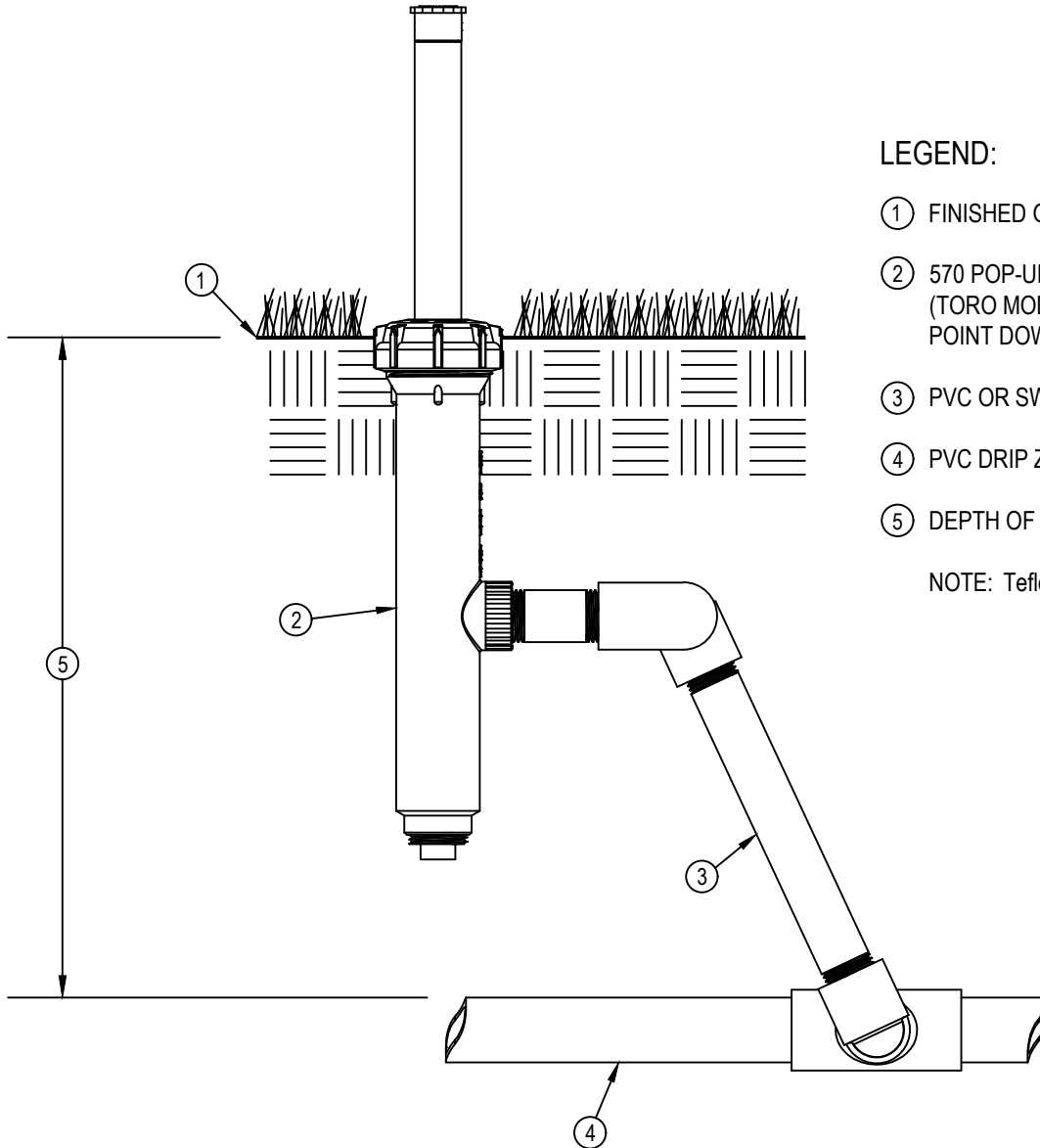




TORO COMPANY - IRRIGATION DIVISION
5825 JASMINE ST.
RIVERSIDE, CA 92504
TOLL FREE: 1-877-345-8676
PHONE: (951) 785-3152
FAX: (951) 359-1870
www.toro.com



LEGEND:

- ① FINISHED GRADE
- ② 570 POP-UP DRIP OPERATION INDICATOR ASSEMBLY (TORO MODEL 570-DRIP-IND) INSTALLED AT FURTHEST POINT DOWNSTREAM OF ZONE VALVE
- ③ PVC OR SWING PIPE SWING JOINT ASSEMBLY
- ④ PVC DRIP ZONE FOOTER
- ⑤ DEPTH OF PVC LINE PER SPECIFICATIONS

NOTE: Teflon tape all threaded joints

NOTES:

1. INSTALLATION TO BE COMPLETED IN ACCORDANCE WITH MANUFACTURER'S SPECIFICATIONS.
2. DO NOT SCALE DRAWING.
3. THIS DRAWING IS INTENDED FOR USE BY ARCHITECTS, ENGINEERS, CONTRACTORS, CONSULTANTS AND DESIGN PROFESSIONALS FOR PLANNING PURPOSES ONLY. THIS DRAWING MAY NOT BE USED FOR CONSTRUCTION.
4. ALL INFORMATION CONTAINED HEREIN WAS CURRENT AT THE TIME OF DEVELOPMENT BUT MUST BE REVIEWED AND APPROVED BY THE PRODUCT MANUFACTURER TO BE CONSIDERED ACCURATE.
5. CONTRACTOR'S NOTE: FOR PRODUCT AND COMPANY INFORMATION VISIT www.toro.com

570 POP-UP DRIP OPERATION INDICATOR

PVC SUB-MANIFOLD INSTALLATION