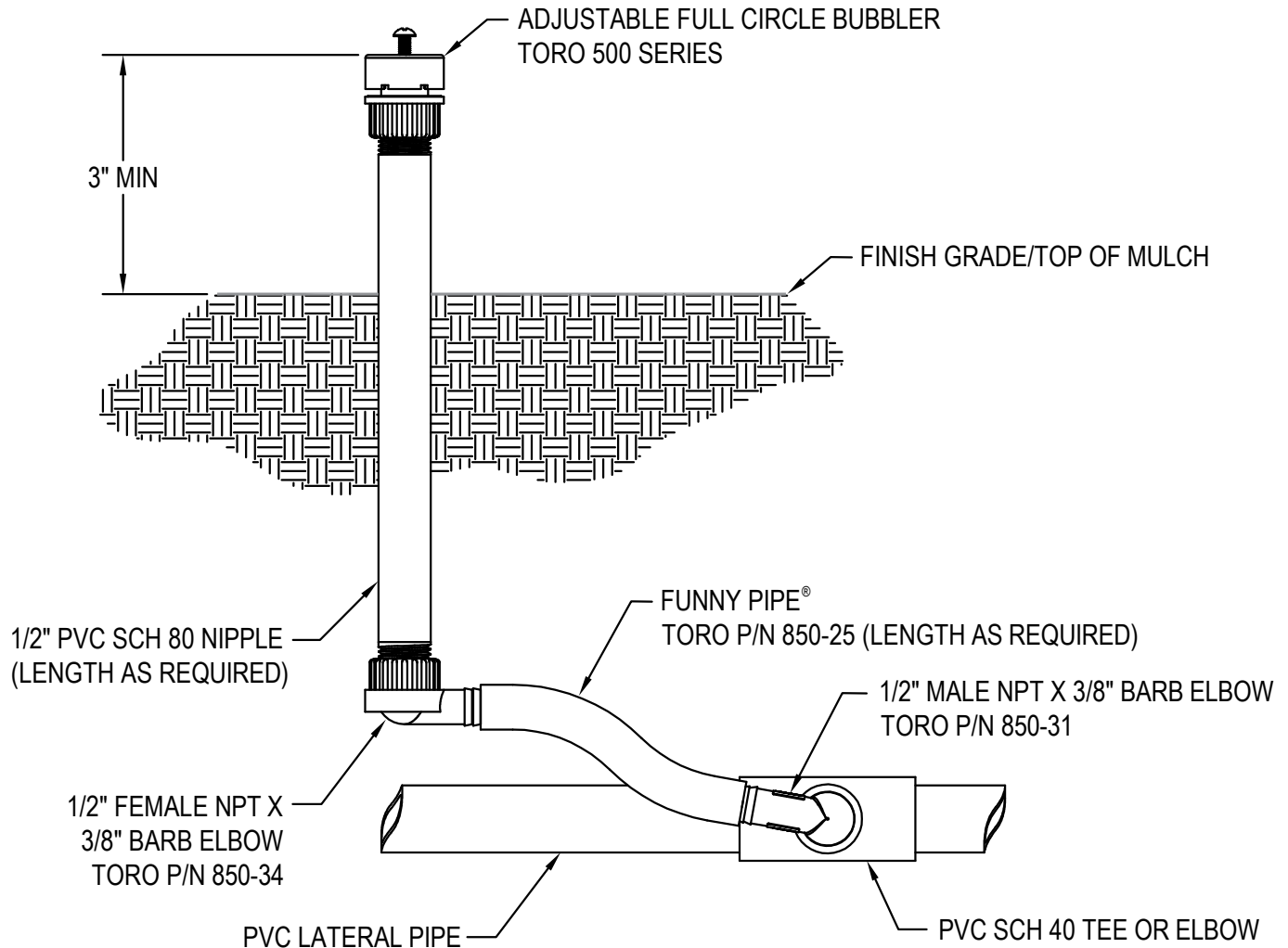




TORO-IRRIGATION DIVISION  
5825 JASMINE STREET  
RIVERSIDE, CA 92504  
TOLL FREE: 1-877-345-8676  
(951) 688-9221  
crc@toro.com  
www.toro.com



NOTES:

1. USE TEFLON TAPE ON ALL JOINTS.
2. INSTALLATION TO BE COMPLETED IN ACCORDANCE WITH MANUFACTURER'S SPECIFICATIONS.
3. DO NOT SCALE DRAWING.
4. THIS DRAWING IS INTENDED FOR USE BY ARCHITECTS, ENGINEERS, CONTRACTORS, CONSULTANTS AND DESIGN PROFESSIONALS FOR PLANNING PURPOSES ONLY. THIS DRAWING MAY NOT BE USED FOR CONSTRUCTION.
5. ALL INFORMATION CONTAINED HEREIN WAS CURRENT AT THE TIME OF DEVELOPMENT BUT MUST BE REVIEWED AND APPROVED BY THE PRODUCT MANUFACTURER TO BE CONSIDERED ACCURATE.

## ADJUSTABLE FULL CIRCLE BUBBLER

### TORO 500 SERIES