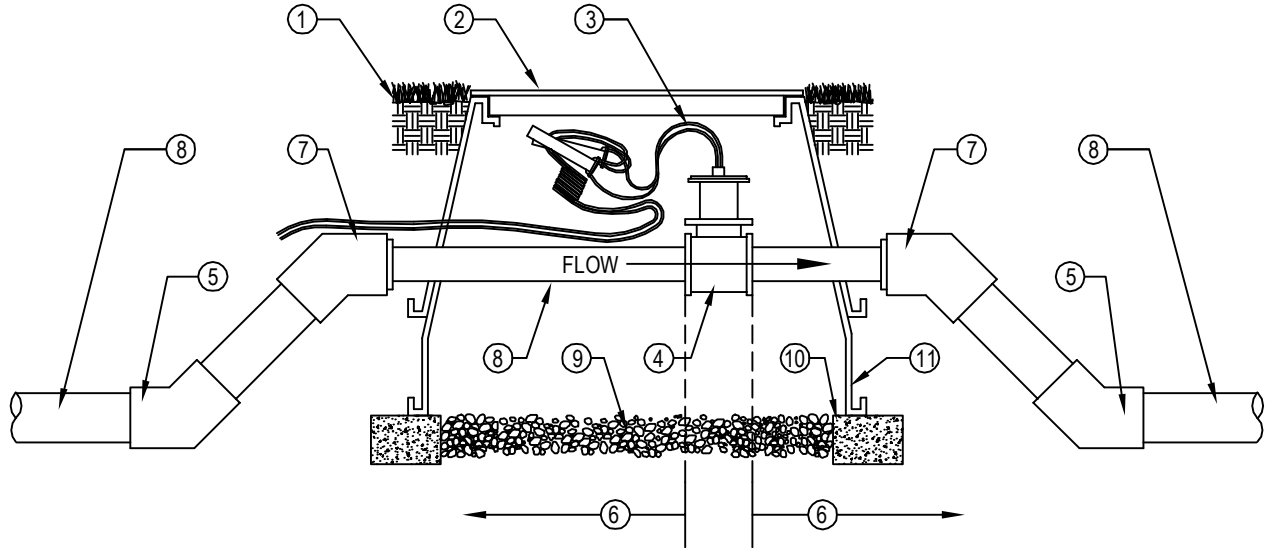




TORO-IRRIGATION DIVISION
 5825 JASMINE STREET
 RIVERSIDE, CA 92504
 TOLL FREE: 1-877-345-8676
 FAX: (951) 359-1870
 crc@toro.com
 www.toro.com



NOT TO SCALE

LEGEND:

- | | |
|---|---|
| ① FINISH GRADE | ⑧ PVC MAINLINE - LENGTH AS REQUIRED - SEE SPECIFICATIONS FOR TYPE AND DEPTH |
| ② JUMBO VALVE BOX & COVER | ⑨ GRAVEL (1 CU. FT.) |
| ③ CONTROL WIRES WITH 12" MIN. SERVICE COIL AND WATERPROOF WIRE SPLICE CONNECTORS - WIRE COLORS PER SPECIFICATIONS | ⑩ CONTINUOUS BRICK SUPPORTS |
| ④ FLOW SENSOR PER SPECIFICATIONS | ⑪ VALVE BOX EXTENSIONS AS REQUIRED |
| ⑤ PVC 45 DEGREE ELL (TYP.) | |
| ⑥ MINIMUM 10x PIPE DIAMETER UPSTREAM & MINIMUM 5x PIPE DIAMETER DOWNSTREAM OF STRAIGHT PIPE | |
| ⑦ PVC 45 DEGREE ELL (TYP.) BUSH DOWN TO FLOW METER SIZE AS NECESSARY | |

NOTES:

- SEE PLANS, LEGEND AND SPECIFICATIONS FOR ADDITIONAL INSTALLATION NOTES.
- INSTALLATION TO BE COMPLETED IN ACCORDANCE WITH MANUFACTURER'S SPECIFICATIONS.
- DO NOT SCALE DRAWING.
- THIS DRAWING IS INTENDED FOR USE BY ARCHITECTS, ENGINEERS, CONTRACTORS, CONSULTANTS AND DESIGN PROFESSIONALS FOR PLANNING PURPOSES ONLY. THIS DRAWING MAY NOT BE USED FOR CONSTRUCTION.
- ALL INFORMATION CONTAINED HEREIN WAS CURRENT AT THE TIME OF DEVELOPMENT BUT MUST BE REVIEWED AND APPROVED BY THE PRODUCT MANUFACTURER TO BE CONSIDERED ACCURATE.
- CONTRACTOR'S NOTE: FOR PRODUCT AND COMPANY INFORMATION VISIT www.CADdetails.com/info AND ENTER REFERENCE NUMBER 065-279.

