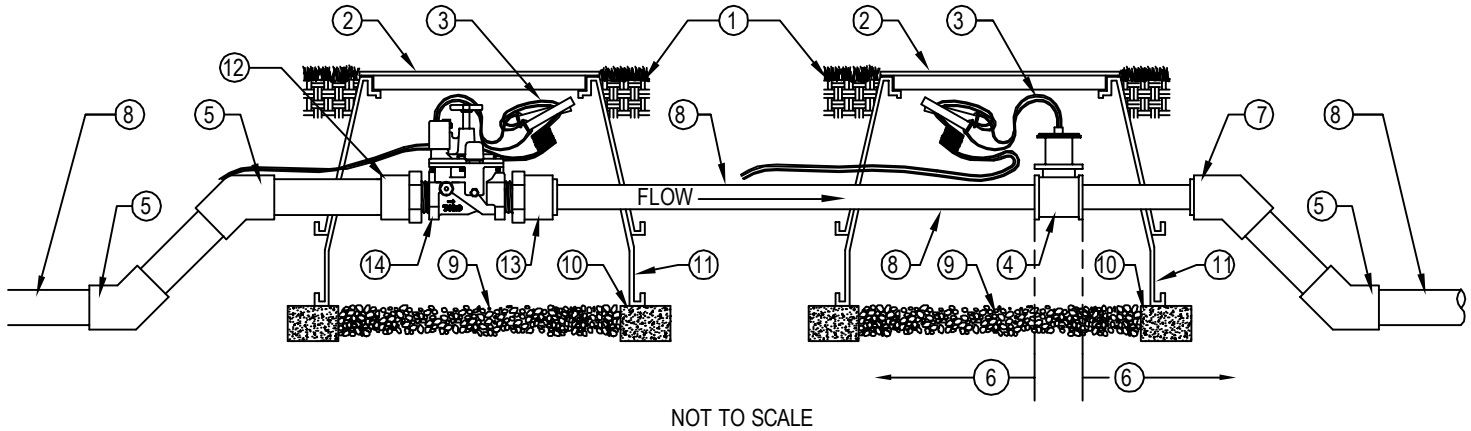




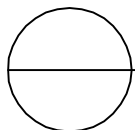
TORO-IRRIGATION DIVISION  
 5825 JASMINE STREET  
 RIVERSIDE, CA 92504  
 TOLL FREE: 1-877-345-8676  
 FAX: (951) 359-1870  
 crc@toro.com  
 www.toro.com



- ① FINISH GRADE
- ② JUMBO VALVE BOX & COVER
- ③ CONTROL WIRES WITH 12" MIN. SERVICE COIL AND WATERPROOF WIRE SPLICE CONNECTORS - WIRE COLORS PER SPECIFICATIONS
- ④ FLOW SENSOR PER SPECIFICATIONS
- ⑤ PVC 45 DEGREE ELL (TYP.)
- ⑥ MINIMUM 10x PIPE DIAMETER UPSTREAM & MINIMUM 5x PIPE DIAMETER DOWNSTREAM OF STRAIGHT PIPE
- ⑦ PVC 45 DEGREE ELL (TYP.) BUSH DOWN TO FLOW METER SIZE AS NECESSARY
- ⑧ PVC MAINLINE - LENGTH AS REQUIRED - SEE SPECIFICATIONS FOR TYPE AND DEPTH
- ⑨ GRAVEL (1 CU. FT.)
- ⑩ CONTINUOUS BRICK SUPPORTS
- ⑪ VALVE BOX EXTENSIONS AS REQUIRED
- ⑫ PVC MALE ADAPTER
- ⑬ PVC MALE ADAPTER - BUSH DOWN TO FLOW METER SIZE AS NECESSARY
- ⑭ TORO REMOTE CONTROL ELECTRIC GLOBE VALVE WITH FLOW CONTROL MODEL NO. 220-27-XX (SEE SPECS.)

**NOTES:**

1. SEE PLANS, LEGEND AND SPECIFICATIONS FOR ADDITIONAL INSTALLATION NOTES.
2. INSTALLATION TO BE COMPLETED IN ACCORDANCE WITH MANUFACTURER'S SPECIFICATIONS.
3. DO NOT SCALE DRAWING.
4. THIS DRAWING IS INTENDED FOR USE BY ARCHITECTS, ENGINEERS, CONTRACTORS, CONSULTANTS AND DESIGN PROFESSIONALS FOR PLANNING PURPOSES ONLY. THIS DRAWING MAY NOT BE USED FOR CONSTRUCTION.
5. ALL INFORMATION CONTAINED HEREIN WAS CURRENT AT THE TIME OF DEVELOPMENT BUT MUST BE REVIEWED AND APPROVED BY THE PRODUCT MANUFACTURER TO BE CONSIDERED ACCURATE.
6. CONTRACTOR'S NOTE: FOR PRODUCT AND COMPANY INFORMATION VISIT [www.CADdetails.com/info](http://www.CADdetails.com/info) AND ENTER REFERENCE NUMBER 065-280.



**FLOW SENSOR / MASTER VALVE**

TORO TFS SERIES / TORO 220 SERIES