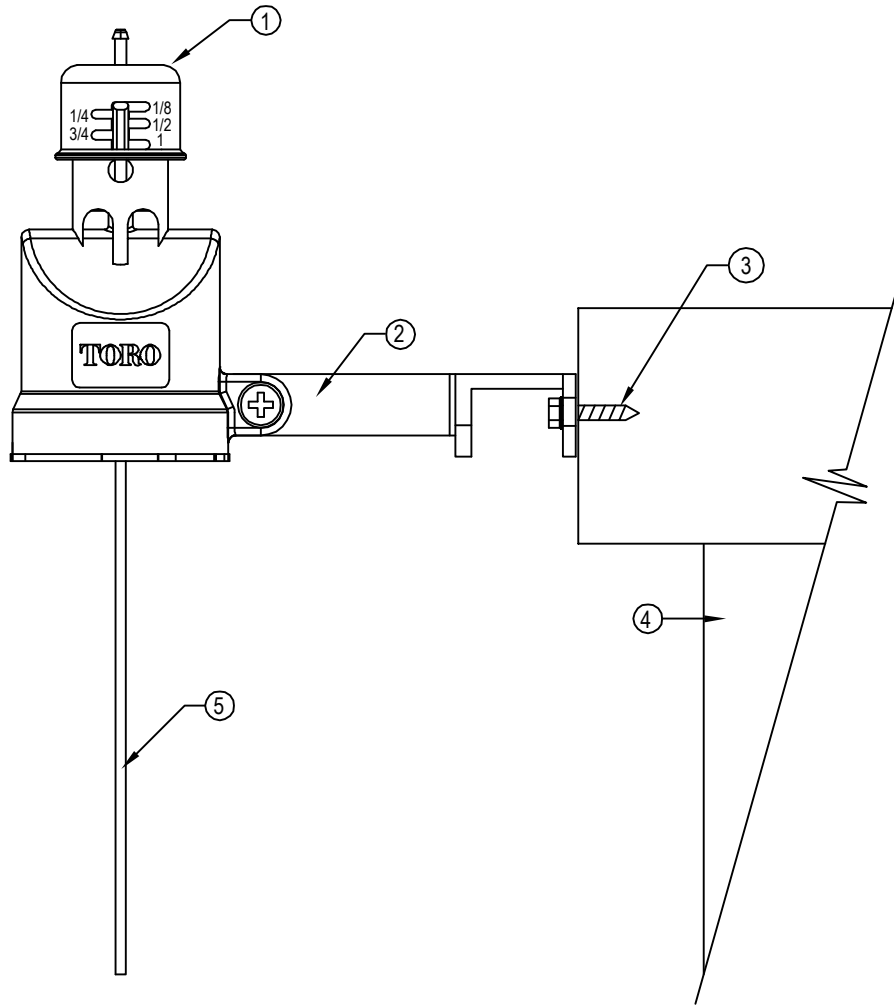




TORO-IRRIGATION DIVISION
 5825 JASMINE STREET
 RIVERSIDE, CA 92504
 TOLL FREE: 1-877-345-8676
 FAX: (951) 359-1870
 crc@toro.com
 www.toro.com



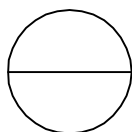
LEGEND:

- ① TORO WIRELESS RAIN SENSOR
MODEL NO.
TWRFS REFER TO PLAN FOR
SENSOR LOCATION
- ② ADJUSTABLE MOUNTING
BRACKET
- ③ THUMB SCREW
- ④ RAIN GUTTER (CROSS
SECTION)
- ⑤ ANTENNA

SECTION/ELEVATION
NOT TO SCALE

NOTES:

1. MOUNT SENSOR VERTICALLY. AVOID PLACEMENT UNDER EVE OR TREE CANOPY. LOCATE WITHIN 300 FEET OF SENSOR RECEIVER AND CONTROLLER
2. INSTALLATION TO BE COMPLETED IN ACCORDANCE WITH MANUFACTURER'S SPECIFICATIONS.
3. DO NOT SCALE DRAWING.
4. THIS DRAWING IS INTENDED FOR USE BY ARCHITECTS, ENGINEERS, CONTRACTORS, CONSULTANTS AND DESIGN PROFESSIONALS FOR PLANNING PURPOSES ONLY. THIS DRAWING MAY NOT BE USED FOR CONSTRUCTION.
5. ALL INFORMATION CONTAINED HEREIN WAS CURRENT AT THE TIME OF DEVELOPMENT BUT MUST BE REVIEWED AND APPROVED BY THE PRODUCT MANUFACTURER TO BE CONSIDERED ACCURATE.
6. CONTRACTOR'S NOTE: FOR PRODUCT AND COMPANY INFORMATION VISIT www.CADdetails.com/info AND ENTER REFERENCE NUMBER 065-255b.



RAIN/FREEZE SENSOR - OTHER CONNECTIONS

WIRELESS (SURFACE MOUNT)