



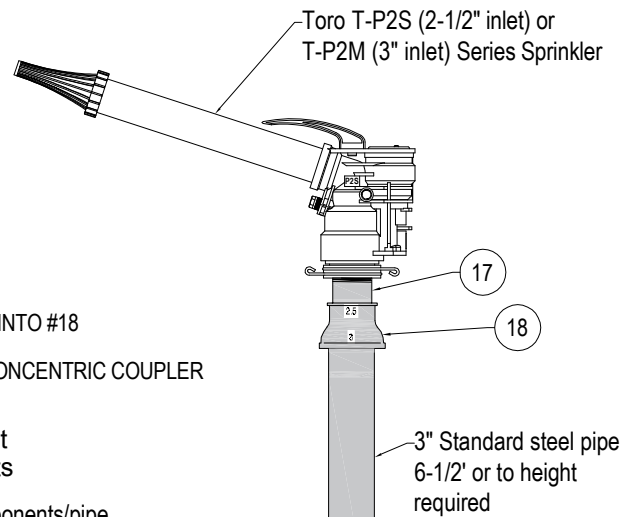
TORO-IRRIGATION DIVISION
 5825 JASMINE STREET
 RIVERSIDE, CA 92504
 TOLL FREE: 1-877-345-8676
 FAX: (951) 359-1870
 www.toro.com

- ① FINISHED GRADE
- ② VALVE BOX & COVER
- ③ CONTROL WIRE C/W SERVICE COIL AND WATERPROOF WIRE SPLICE CONNECTORS
- ④ TORO 2.5" BRASS 220-27-09 ANGLE
- ⑤ VALVE BOX EXTENSION
- ⑥ GRAVEL (1 CU. FT.)
- ⑦ SCH40 STEEL 90 / WELDED TO STANDARD STEEL PIPE (CUT TO LENGTH)
- ⑧ SCH40 PVC TEE OR ELBOW (TYP)
- ⑨ SCH40 PVC MAIN LINE SEE SPECS FOR DEPTH
- ⑩ 3" SCH80 FLANGE/3" SCH40 STEEL FLANGE 3 X 2.5" STAINLESS RB AND A 2.5" SHORT BRASS NIPPLE
- ⑪ 3" SCH40 PVC ELBOW (TYP)
- ⑫ CONTINUOUS BRICK SUPPORT
- ⑬ SCH40 PVC LATERAL LINE

- ⑭ 3" SCH80 PVC FLANGE
- ⑮ 3" SCH40 STEEL FLANGE
- ⑯ 3" SCH40 STEEL 90
- ⑰ 2-1/2" TOE NIPPLE/WELDED INTO #18
- ⑱ 3" BY 2-1/2" SCH40 STEEL CONCENTRIC COUPLER

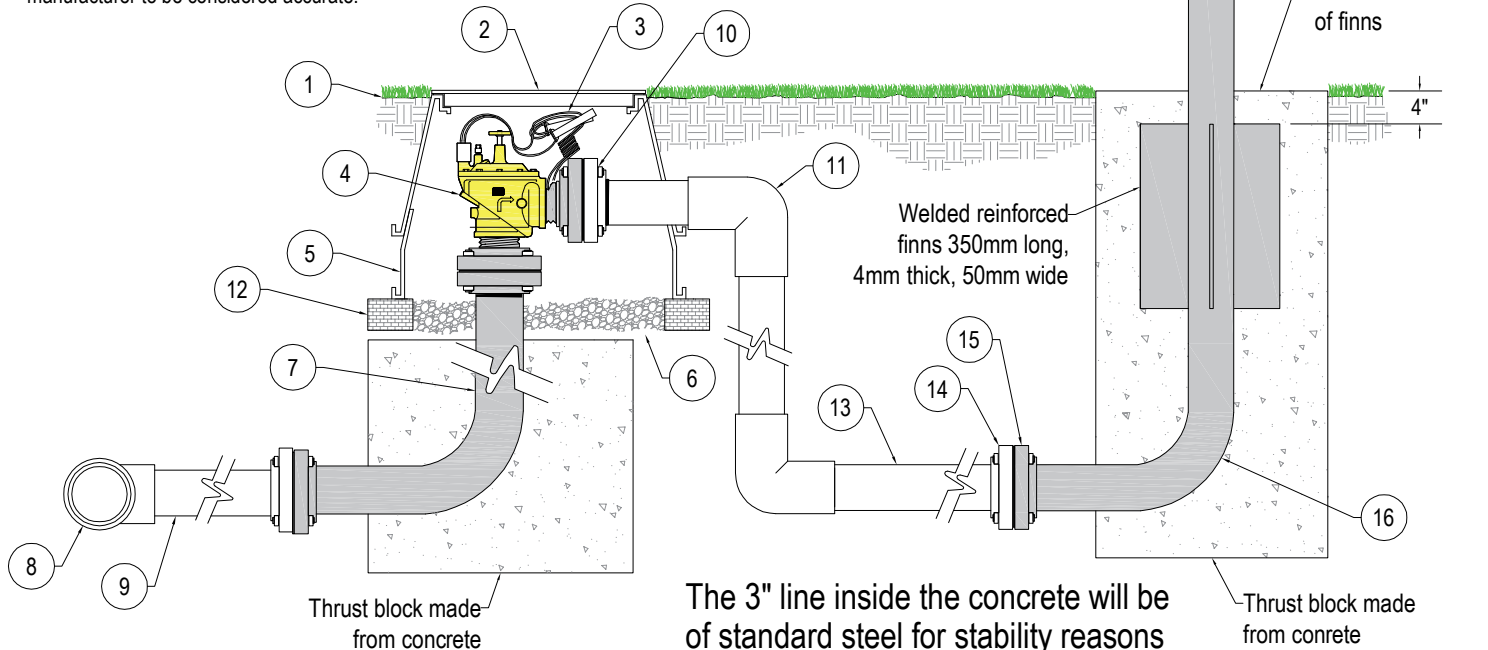
All flange sets to use gasket sets and stainless steel bolts

- Sch40 or Sch80 PVC components/pipe
- Sch40 Steel components/standard steel pipe welded connections
- Brass component



NOTES:

- 1. All electrical work must conform to local codes. Refer to product literature for additional installation requirements.
- 2. Installation to be completed in accordance with manufacturer's specification.
- 3. Do not scale drawing.
- 4. This drawing is intended for use by architects, engineers, contractors, consultants, and design professionals for planning purposes only.
- 5. This drawing may not be used for construction.
- 6. All information contained herein was current at the time of development, but must be reviewed and approved by the product manufacturer to be considered accurate.



TORO P2 SERIES SPRINKLER

EXTENDED RANGE

REVISION DATE 10-1-2019