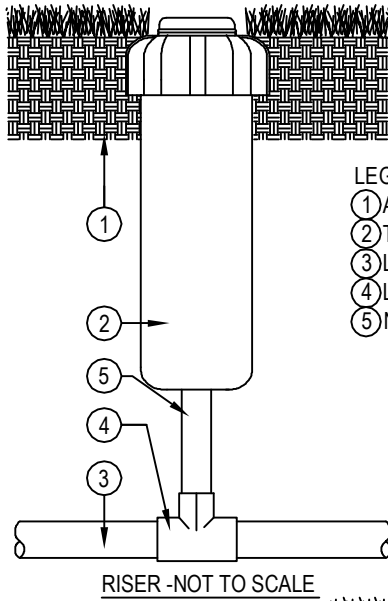
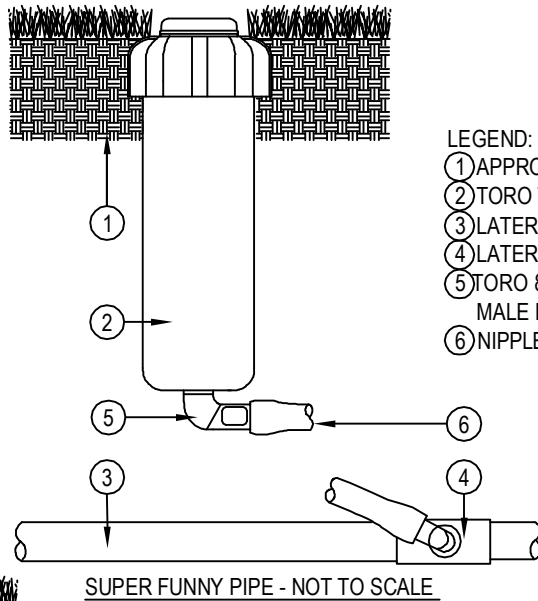




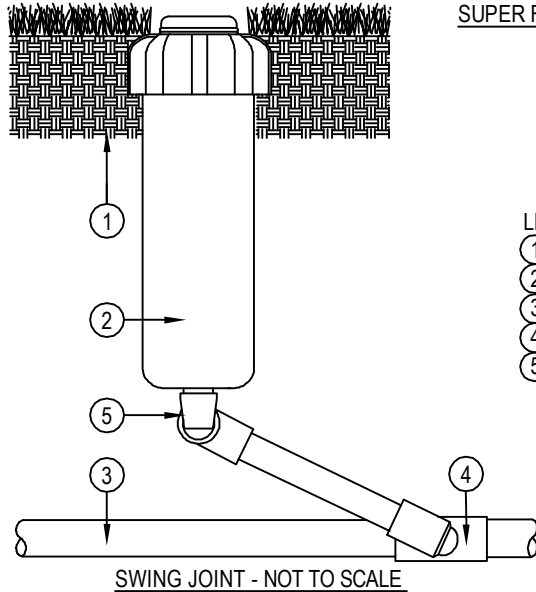
TORO-IRRIGATION DIVISION
 5825 JASMINE STREET
 RIVERSIDE, CA 92504
 TOLL FREE: 1-877-345-8676
 FAX: (951) 359-1870
 crc@toro.com
 www.toro.com



- LEGEND:
 ① APPROVED BACKFILL
 ② TORO T7P-XX SPRINKLER
 ③ LATERAL PIPE
 ④ LATERAL TEE
 ⑤ NIPPLE



- LEGEND:
 ① APPROVED BACKFILL
 ② TORO T7P-XX SPRINKLER
 ③ LATERAL PIPE
 ④ LATERAL TEE
 ⑤ TORO 850-32 BARBED MALE ELL
 ⑥ NIPPLE



- LEGEND:
 ① APPROVED BACKFILL
 ② TORO T7P-XX SPRINKLER
 ③ LATERAL PIPE
 ④ LATERAL TEE
 ⑤ MANUFACTURED SWING JOINT

NOTES:

1. INSTALL SPRINKLER UP TO 1/2" BELOW GRADE
2. INSTALLATION TO BE COMPLETED IN ACCORDANCE WITH MANUFACTURER'S SPECIFICATIONS.
3. DO NOT SCALE DRAWING.
4. THIS DRAWING IS INTENDED FOR USE BY ARCHITECTS, ENGINEERS, CONTRACTORS, CONSULTANTS AND DESIGN PROFESSIONALS FOR PLANNING PURPOSES ONLY. THIS DRAWING MAY NOT BE USED FOR CONSTRUCTION.
5. ALL INFORMATION CONTAINED HEREIN WAS CURRENT AT THE TIME OF DEVELOPMENT BUT MUST BE REVIEWED AND APPROVED BY THE PRODUCT MANUFACTURER TO BE CONSIDERED ACCURATE.
6. CONTRACTOR'S NOTE: FOR PRODUCT AND COMPANY INFORMATION VISIT www.CADdetails.com/info AND ENTER REFERENCE NUMBER 065-159

