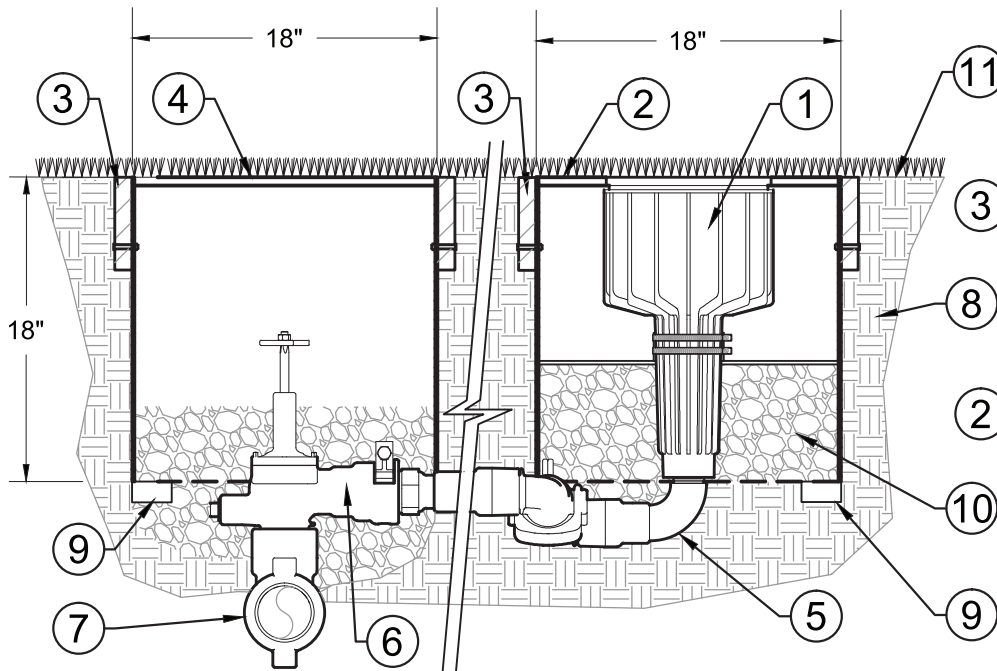
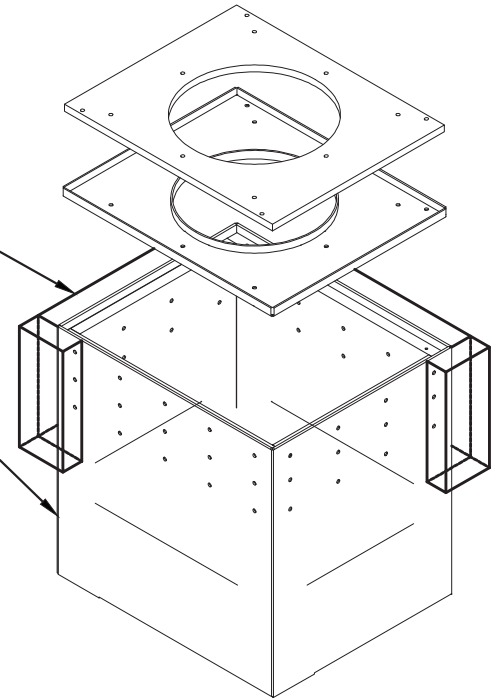




TORO-IRRIGATION DIVISION
5825 JASMINE STREET
RIVERSIDE, CA 92504
TOLL FREE: 1-800-664-4740
PHONE: (951) 785-3152
FAX: (951) 359-1870
www.toro.com



SECTION ELEVATION:



CORNER ELEVATION:

LEGEND:

- ① TORO TS120 SERIES SPRINKLER
- ② TORO STAINLESS STEEL ENCLOSURE (MODEL NUMBER TSSBK-18-120). 18" x 18" x 18" SST ENCLOSURE W/ RECESSED SST LID AND 1/2" THICK HOPE INSERT, AND INTEGRATED UNIVERSAL CLAMP TO MAINTAIN VERTICALITY OF SPRINKLER.
- ③ SIDE SUPPORTS – ADJUST FOR VARYING PILE HEIGHTS. SECURE TO ALL FOUR SIDES OF EACH ENCLOSURE. SUPPLIED BY OTHERS.
- ④ TORO STAINLESS STEEL ENCLOSURE (MODEL NUMBER TSSBK-18-SOLID). 18" x 18" x 18" SST ENCLOSURE W/ RECESSED SST LID AND 1/2" THICK HDPE INSERT.
- ⑤ DUCTILE IRON SWING JOINT ASSEMBLY-1-1/2" X NPT FOR SPRINKLER INLET (MODEL NUMBER TS120-IV2K-SJ).
- ⑥ ISOLATION VALVE - 2" SIZE W/ MALE SWIVEL BOTTOM INLET. CONNECT TO MAIN LINE OR ELL.
- ⑦ IRRIGATION MAIN LINE PIPING SUPPLIED BY OTHERS.
- ⑧ COMPACTED SUB-BASE MATERIAL.
- ⑨ COMMON RED OR CONCRETE BRICK SUPPORT UNDER EACH CORNER OF BOX.
- ⑩ 3/ 4" WASHED GRAVEL BACKFILL - SET TO 6-INCHES BELOW BOX.
- ⑪ FINISH GRADE.

- NOTES: 1. IN GROUND ENCLOSURE TO WITHSTAND HEAVY TRAFFIC WITHOUT DEFLECTION.
2. BOX BASE INCLUDES 2.5" RETURN FOR STABILITY WITHIN SOILS.
3. ALL HARDWARE SHALL BE STAINLESS STEEL.

TORO® TS120 with ISOLATION VALVE