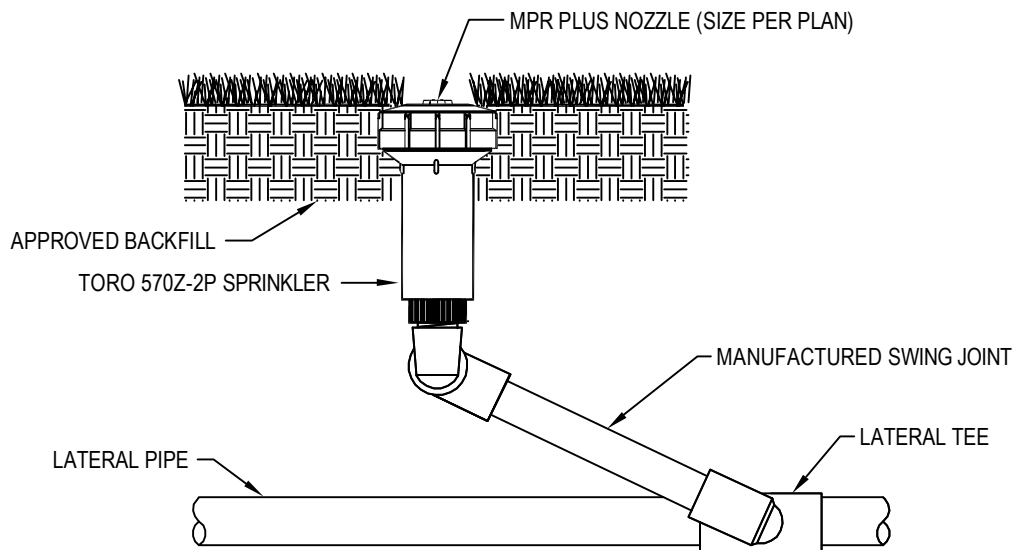




TORO-IRRIGATION DIVISION
5825 JASMINE STREET
RIVERSIDE, CA 92504
TOLL FREE: 1-877-345-8676
FAX: (951) 359-1870
crc@toro.com
www.toro.com

SELECT DESIRED OPTION:

- SUPER FUNNY PIPE
- SWING JOINT
- RISER

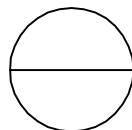


SECTION/ELEVATION

NOT TO SCALE

NOTES:

1. INSTALL SPRINKLER AT FINISHED GRADE
2. INSTALLATION TO BE COMPLETED IN ACCORDANCE WITH MANUFACTURER'S SPECIFICATIONS.
3. DO NOT SCALE DRAWING.
4. THIS DRAWING IS INTENDED FOR USE BY ARCHITECTS, ENGINEERS, CONTRACTORS, CONSULTANTS AND DESIGN PROFESSIONALS FOR PLANNING PURPOSES ONLY. THIS DRAWING MAY NOT BE USED FOR CONSTRUCTION.
5. ALL INFORMATION CONTAINED HEREIN WAS CURRENT AT THE TIME OF DEVELOPMENT BUT MUST BE REVIEWED AND APPROVED BY THE PRODUCT MANUFACTURER TO BE CONSIDERED ACCURATE.
6. CONTRACTOR'S NOTE: FOR PRODUCT AND COMPANY INFORMATION VISIT www.CADdetails.com/info AND ENTER REFERENCE NUMBER 065-010.



ST SPRINKLERS: 570Z SERIES 2" POP-UP

FIXED-SPRAY SPRINKLER, SWING JOINT