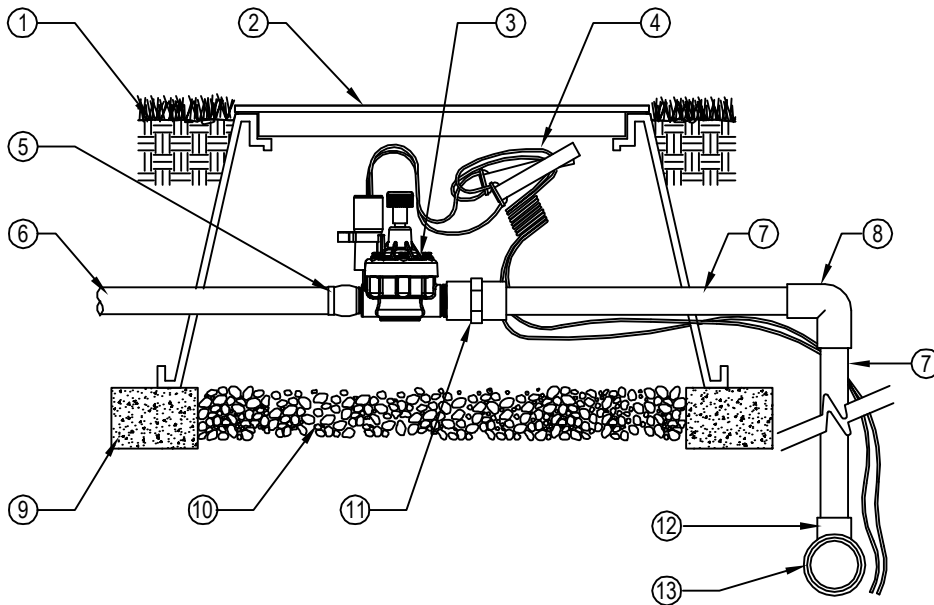




TORO-IRRIGATION DIVISION
 5825 JASMINE STREET
 RIVERSIDE, CA 92504
 TOLL FREE: 1-877-345-8676
 FAX: (951) 359-1870
 crc@toro.com
 www.toro.com

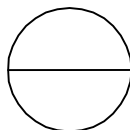


- ① FINISHED GRADE
- ② VALVE BOX & COVER
- ③ TORO FxF REMOTE CONTROL VALVE W/O FLOW CONTROL AND WITH WIRED SOLENOID MODEL NO. TPV100 SEE LEGEND.
- ④ CONTROL WIRES WITH 12" MIN. SERVICE COIL AND WATERPROOF WIRE SPLICE CONNECTORS
- ⑤ STAINLESS-STEEL CLAMP
- ⑥ PVC LATERAL LINE SEE SPECS. FOR DEPTH
- ⑦ PVC MAIN LINE LENGTH AS REQUIRED
- ⑧ PVC ELBOW
- ⑨ CONTINUOUS BRICK SUPPORTS
- ⑩ GRAVEL (1 CU. FT.)
- ⑪ PVC FEMALE ADAPTER
- ⑫ PVC TEE OR ELBOW (TYP.)
- ⑬ PVC MAIN LINE (TYP.) SEE SPECS. FOR DEPTH

SECTION/ELEVATION
 NOT TO SCALE

NOTES:

1. INSTALLATION TO BE COMPLETED IN ACCORDANCE WITH MANUFACTURER'S SPECIFICATIONS.
2. DO NOT SCALE DRAWING.
3. THIS DRAWING IS INTENDED FOR USE BY ARCHITECTS, ENGINEERS, CONTRACTORS, CONSULTANTS AND DESIGN PROFESSIONALS FOR PLANNING PURPOSES ONLY. THIS DRAWING MAY NOT BE USED FOR CONSTRUCTION.
4. ALL INFORMATION CONTAINED HEREIN WAS CURRENT AT THE TIME OF DEVELOPMENT BUT MUST BE REVIEWED AND APPROVED BY THE PRODUCT MANUFACTURER TO BE CONSIDERED ACCURATE.
5. CONTRACTOR'S NOTE: FOR PRODUCT AND COMPANY INFORMATION VISIT www.CADdetails.com/info AND ENTER REFERENCE NUMBER 065-309.



TPV SERIES

1" PLASTIC VALVE (M x B, WIRED SOLENOID) - WITH FLOW CONTROL