

# DXi-CELL-EXP Cellular Kit

## Installation Guide



### Introduction

The DXi-CELL-EXP allows the Toro DXi irrigation controller to communicate with the Central via cellular communication. This document illustrates how to mount the cellular kit in the following DXi base models:

- DXI-PWM08
- DXI-PWMTW
- DXI-SWM08
- DXI-SWMTW
- DXI-SPED08
- DXI-SPEDTW
- DXI-SPEDHY08
- DXI-PSB08
- DXI-PSBTW
- DXI-DPSB56
- DXI-PPED08
- DXI-PPEDTW

### Kit Components

- cellular modem attached to DXi comm expansion board
- cellular antenna
- cellular antenna wires
- mounting screws
- stand-offs

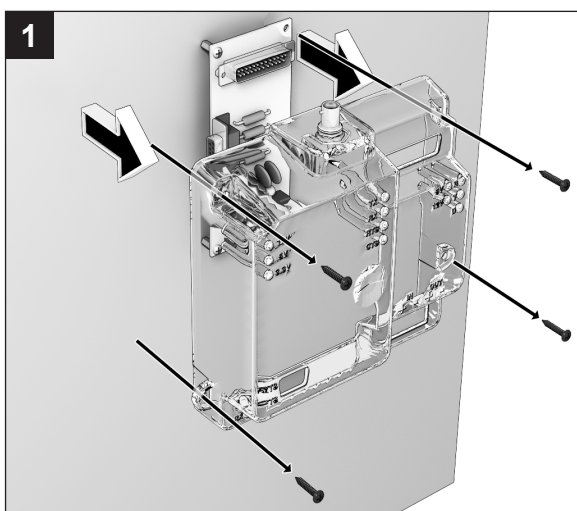
### Installation Instructions



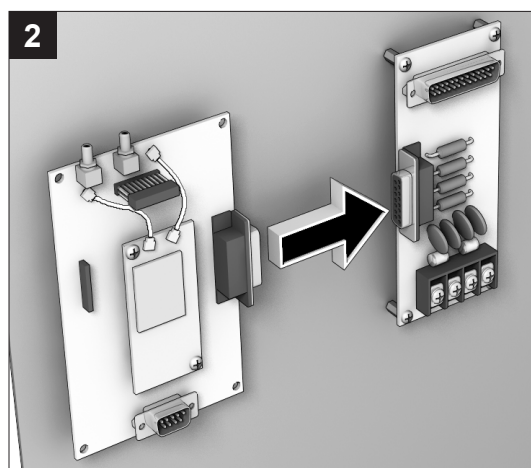
**CAUTION:** DXi serviceable parts shall be installed by qualified personnel familiar with the product and with local electrical code requirements. DXi serviceable parts shall not be used or installed in product other than DXi Product Series. Failure to do so will void product's safety and FCC certification. If used in product other than DXi Product Series, additional safety and FCC testing shall be considered as part of the end product assessment and usability.



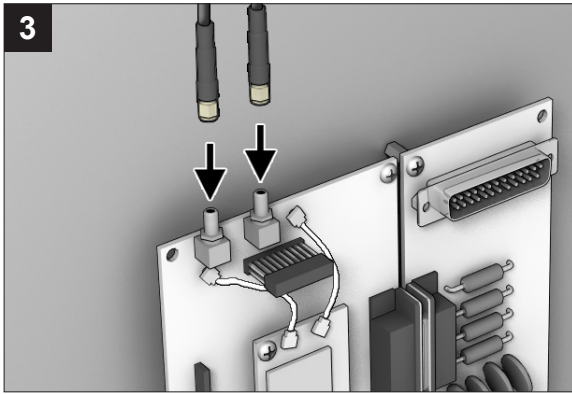
**CAUTION:** Power off the controller prior to installing expansion kits.



Remove screws and cover.



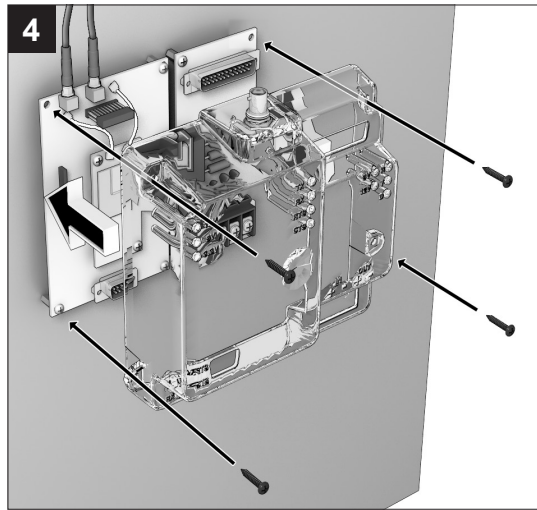
Connect cellular COM board to hardwire COM board.



**3**


The cellular antenna has two identical connectors, both of which need to be connected. The first connector connects the cellular antenna “Main” connector to the SMA connector on the docking COM board.

The second connector is connected to the remaining port. It makes no difference which connector is connected to which port--they are identical.



**4**


Reattach the cover and secure with screws.

 The cellular modem comes pre-configured with a SIM card. The SIM card has been provisioned on the Sprint/T-Mobile network. Upon power up, the cell modem will automatically search for and register on the wireless network. From there, it will obtain its “CLOUD ID”.

## Antenna Installation

To install the DXi cellular antenna:

- 1** Insert antenna wires and threading through the hole (Figure 8).
- 2** Connect wire connectors to connectors in step 3 page 1.

 For plastic pedestal, the wifi antenna is installed into a cutout in the lid (Figure 9).



## FCC & IC Label

It is important to keep track of what wireless devices are installed in your DXi controller.

Each DXi controller ships with a label showing important information such as Model number, Serial number, UL certification, and more **1**.

Depending on the enclosure, this label might be found on the interior side of the enclosure door **2**.

- If your DXi controller ships with a wireless device, the label will show the FCC ID and IC ID **1**.
- If your DXi controller does *not* ship with a wireless device, the label will be blank in that area.

The cellular kit ships with a small sticker label with its FCC ID and IC ID **3**.

- If your DXi controller label is blank in that area, adhere the FCC sticker to that blank area.
- If your DXi controller label already has FCC ID and IC ID information in that area, adhere the FCC sticker adjacent to it as illustrated **4**.

**3** DXI-ACCESSORY-PN  
FCC ID:XXXX  
IC:XXXX

**4** MODEL NO.: XXXX  
SERIAL NO.: XXXX R2129  
INPUT; 120v ac, 60 Hz 5A  
OUTPUT: 24v ac 50/60 Hz, 100 VA MAX.

UL Plumbing Accessory US LISTED  
Contain: FC ID: XXXX IC: XXXX  
DXI-ACCESSORY-PN  
FCC ID:XXXX  
IC:XXXX  
CSA ENCLOSURE 3  
SUITABLE FOR OUTDOOR USE

This device complies with Part 15 of the FCC rules. Operatiobn is subject to the folowing two conditions: (1) This device may not cause harmful interference, and (2) this device must accept any interference received, including interference that may cause undesired operation. THE TORO CO., IRRIGATION DIV., RIVERSIDE, CA  
Assembled in USA P/N: 118-1385

**1** MODEL NO.: XXXX  
SERIAL NO.: XXXX R2129  
INPUT; 120v ac, 60 Hz 5A  
OUTPUT: 24v ac 50/60 Hz, 100 VA MAX.



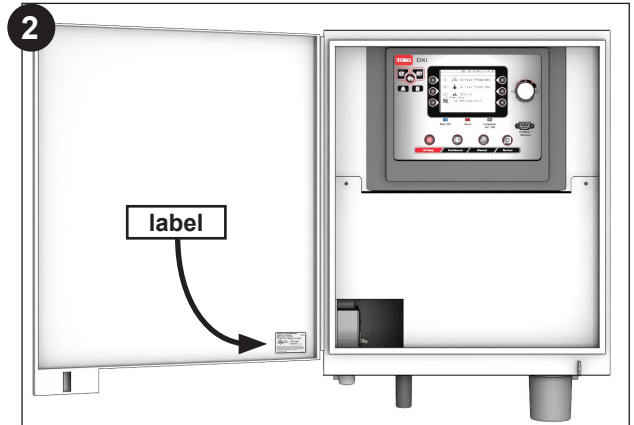
Contain:  
FC ID: XXXX  
IC: XXXX

CSA ENCLOSURE 3  
SUITABLE FOR OUTDOOR USE

This device complies with Part 15 of the FCC rules. Operatiobn is subject to the folowing two conditions: (1) This device may not cause harmful interference, and (2) this device must accept any interference received, including interference that may cause undesired operation. THE TORO CO., IRRIGATION DIV., RIVERSIDE, CA

Assembled in USA

P/N: 118-1385



Illustrative purposes only.

FCC label location differs depending on enclosure type.

## FCC / IC Statement

This product contains a modular approval with FCC ID R17LE910C1NS and IC 5131A-LE910C1NS.

This equipment has been tested and found to comply with the limits for a Class A digital device, pursuant to part 15 of the FCC Rules. These limits are designed to provide reasonable protection against harmful interference when the equipment is operated in a commercial environment. This equipment generates, uses, and can radiate radio frequency energy and, if not installed and used in accordance with the instruction manual, may cause harmful interference to radio communications. Operation of this equipment in a residential area is likely to cause harmful interference in which case the user will be required to correct the interference at his own expense.

This device contains licence-exempt transmitter(s)/receiver(s) that comply with innovation, Science, and Economic development Canada's licence-exempt RSS(s). Operation is subject to the following two conditions:

- (1) this device may not cause interference, and
- (2) This device must accept any interference, including interference that may cause undesired operation of the device.

L'émetteur/recepteur exempt de licence contenu dans le présent appareil est conforme aux CNR d'innovation, Science et Développement économique Canada applicables aux appareils radio exempts de licence. L'exploitation est autorisée aux deux conditions suivantes:

- (1) l'appareil ne doit pas produire de brouillage, et
- (2) l'appareil doit accepter tout brouillage radioélectrique subi, même si le brouillage est susceptible d'en compromettre le fonctionnement.

This device complies with FCC and ISED RF radiation exposure limits set forth for general population. This device must be installed to provide a separation distance of at least 20cm from all persons and must not be co-located or operating in conjunction with any other antenna or transmitter.

Le présent appareil est conforme aux niveaux limites d'exigences d'exposition RF aux personnes définies par ISDE. L'appareil doit être installé afin d'offrir une distance de séparation d'au moins 20cm avec les personnes et ne doit pas être installé à proximité ou être utilisé en conjonction avec une autre antenne ou un autre émetteur.



5825 Jasmine Street  
Riverside, CA 92504  
800-777-1477  
irrigationsupport@toro.com



WARNING: Cancer and Reproductive harm – [www.P65Warnings.ca.gov](http://www.P65Warnings.ca.gov).  
For more information, please visit [www.toro.com/CAProp65](http://www.toro.com/CAProp65).