



**Count on it.**

**Parts Catalog**

**DXi Controller Parts Breakout**

Model No. DXI—Serial No. 000 and Up



# Ordering Replacement Parts

To order replacement parts, please supply the part number, the quantity, and the description of each part desired.

## Understanding Reference Numbers

Each identified part in an illustration has a reference number. The reference number for a part also appears in the parts list, along with other information about the part.

This catalog uses two special reference number formats, one to indicate parts in a service assembly and another to indicate the quantity of a given part in an illustration.

## Service Assembly Reference Numbers

Parts in service assemblies have reference numbers in the form a:b. The a represents the reference number of the entire service assembly and the b represents a sequential number unique to each part within the service assembly.

For example, a wheel assembly might be identified by reference number 6, the tire by 6:1, the valve by 6:2, and the wheel by 6:3. When you order the assembly identified by reference number 6, you receive all parts identified by reference numbers 6:1, 6:2, and 6:3. However, you may also order any part individually. Reference numbers of this type appear in illustration and in parts lists.

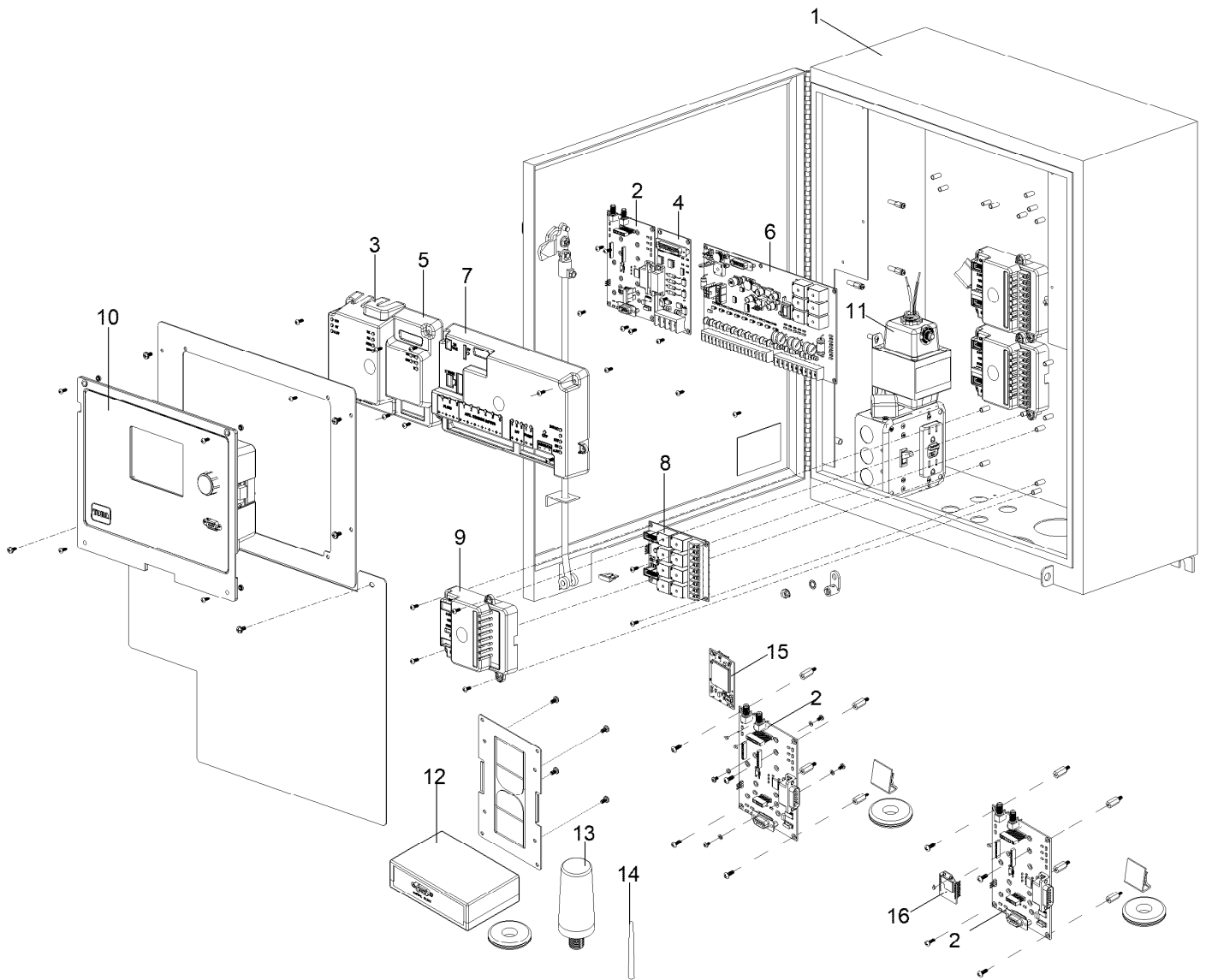
## Reference Numbers Indicating Quantity

In an illustration, if a reference number indicates more than one part, the reference number has the form nX y. The n represents the quantity of the part, the X is the multiplication symbol, and the y represents the reference number.

For example, in an illustration, the reference number 2X 37 means that two of the parts identified by reference number 37 are indicated.

# Contents

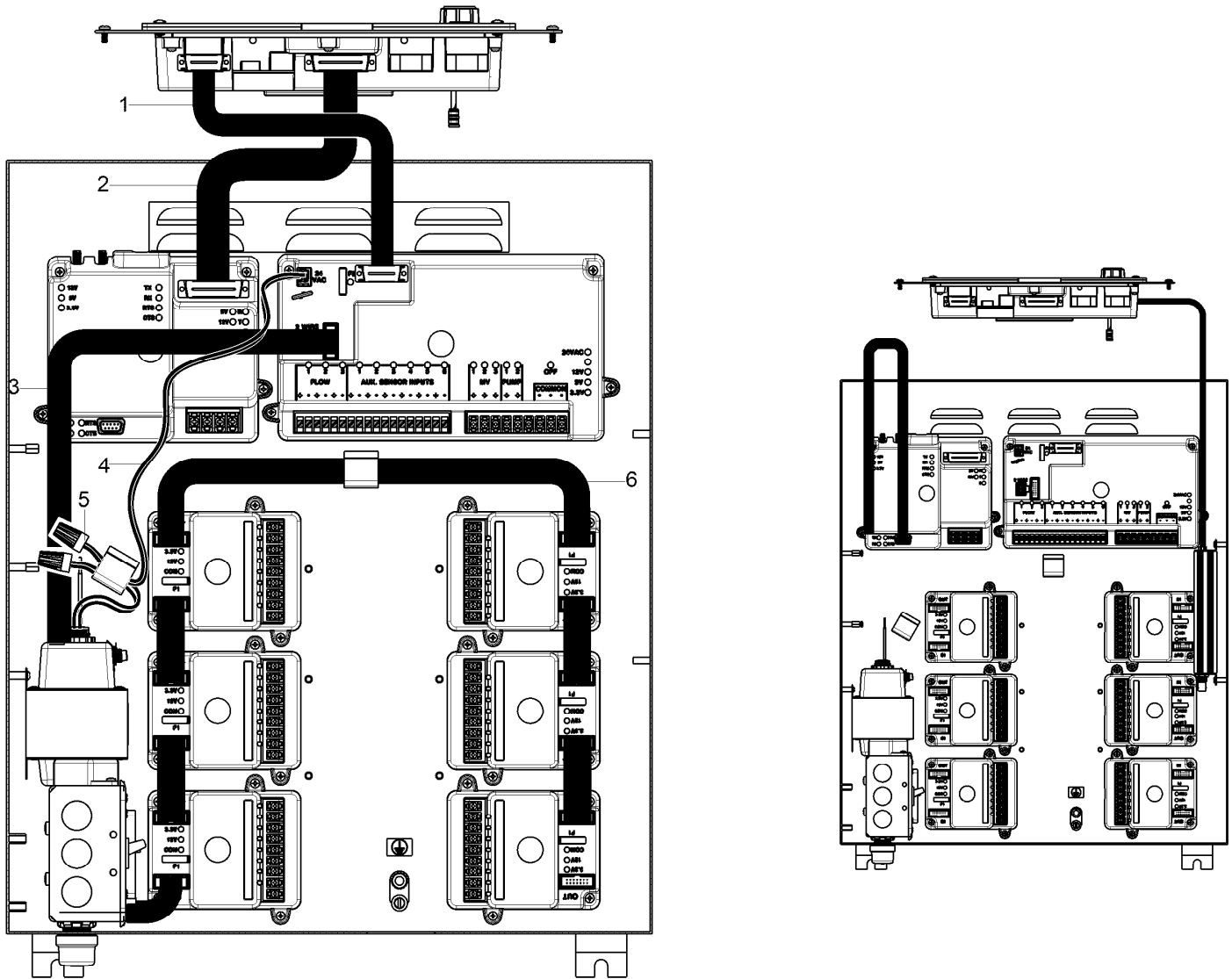
- DXi Wall Mount Controller, 48-Station ..... 4
- DXi Wall Mount Wiring ..... 5
- DXi Wall-Mount, 2-Wire Controller ..... 6
- DXi Wall Mount, 2-Wire, Wiring ..... 7
- DXi Wall-Mount, WOB Controller ..... 8
- DXi Metal Pedestal Controller ..... 9
- DXi Metal Pedestal Wiring ..... 10
- DXi Large Metal Pedestal Controller ..... 11
- DXi Large Metal Pedestal Wiring ..... 12
- DXi Plastic Pedestal Controller ..... 13
- DXi Plastic Pedestal Wiring ..... 14



## DXi Wall Mount Controller, 48-Station

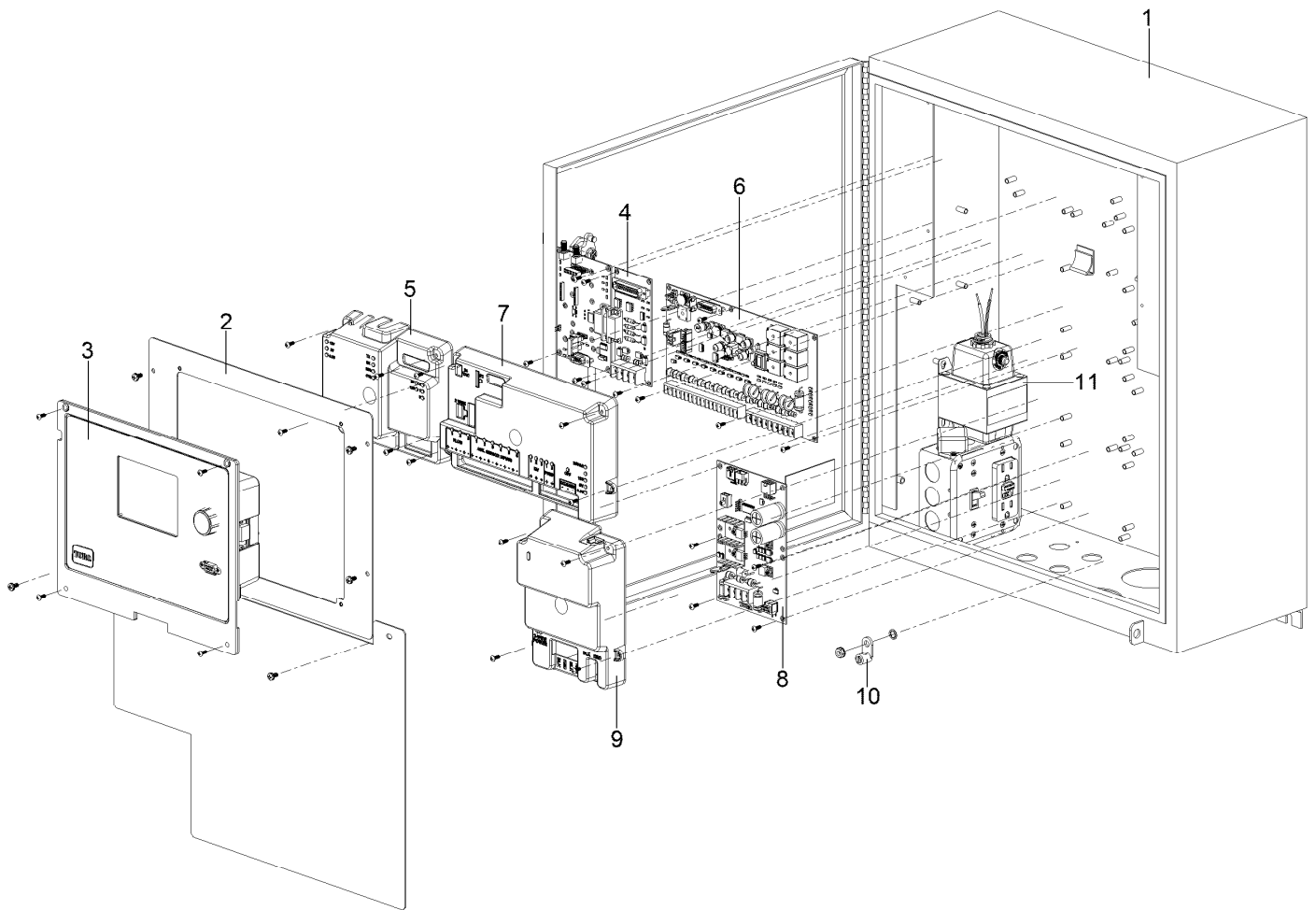
Ref.	Part Number	Qty.	Description	Ref.	Part Number	Qty.	Description
1	118-4749	1	Metal Enclosure, Wallmount, Stainless Steel (Includes Item 3)	8	118-4616SK	1	Output Board Assy. (Includes Item 9)
1	118-4750	1	Metal Enclosure, Wallmount, Painted (Includes Item 3)	9	118-4730	1	Cover, Output Board Pcb
2	118-7484	1	Lte Modem Assy. W/ Antenna (Includes Item 17)	10	118-7424	1	Timer Module Assy.
2	118-7486	1	Wifi Module W/ Antenna (Includes Item 18)	11	118-6145	1	Junction Box Assy., Wallmount, Domestic
3	118-4732	1	Cover, Communication Board	12	DXI-WOB-E-EXP	1	Dxi 900Mhz Xtnd Radio, Wallmount, (Includes Item 14)
4	118-4724SK	1	Master Communication Pcb Assy. (Includes Item 5)	12	DXI-WOB-E-P-EXP	1	Dxi 900Mhz Xtnd Radio, Pedestal, (Includes Item 13)
5		1	Cover, Master Communication Pcb ●	13	363-7124	1	Antenna, 902-925 Mhz, Pedestal
6	118-7306SK	1	Master Valve/Sensor Pcb Assy. (Includes Item 7)	14	363-7125	1	Antenna, HasM-675, Wallmount
7	118-4731	1	Cover, Master Valve/Sensor Pcb	15	363-7844	1	Cell Modem, Multitech
				16	363-6858	1	Radio, Digi Wi-Fi

● Not serviced separately



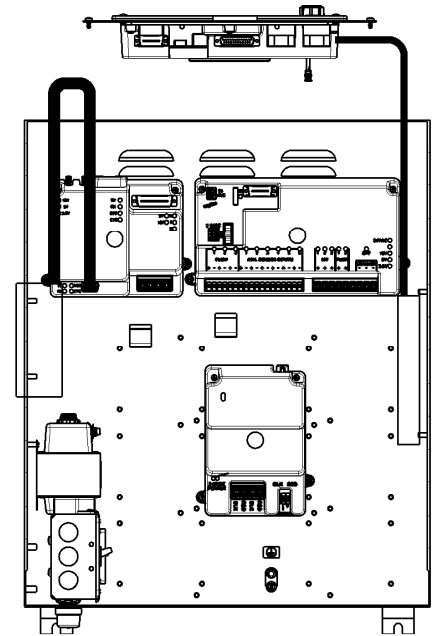
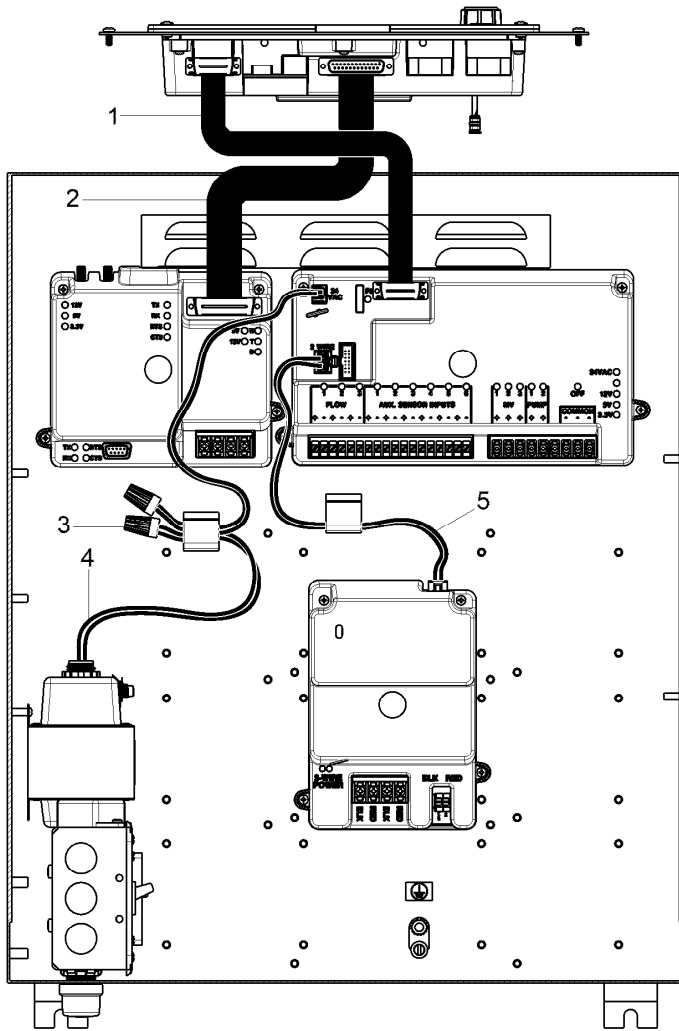
## DXi Wall Mount Wiring

Ref.	Part Number	Qty.	Description
1	118-7176	1	Cable, Modem To Tm
2	118-4779	1	Assy., Ribbon Cable, Db25 W/Sr, 17 Inches, Rohs
3	118-7399	1	Assy, Ribbon Cable, 14 Pos, 25 Inches
4	118-5394	1	Assy., Power Cable, 2-Conductor
5	817201	2	Wire Nut, 14Awg (2 Pieces), Rohs
6	118-4722	1	Assy, Ribbon Cable, 14 Pos, 14 Inches



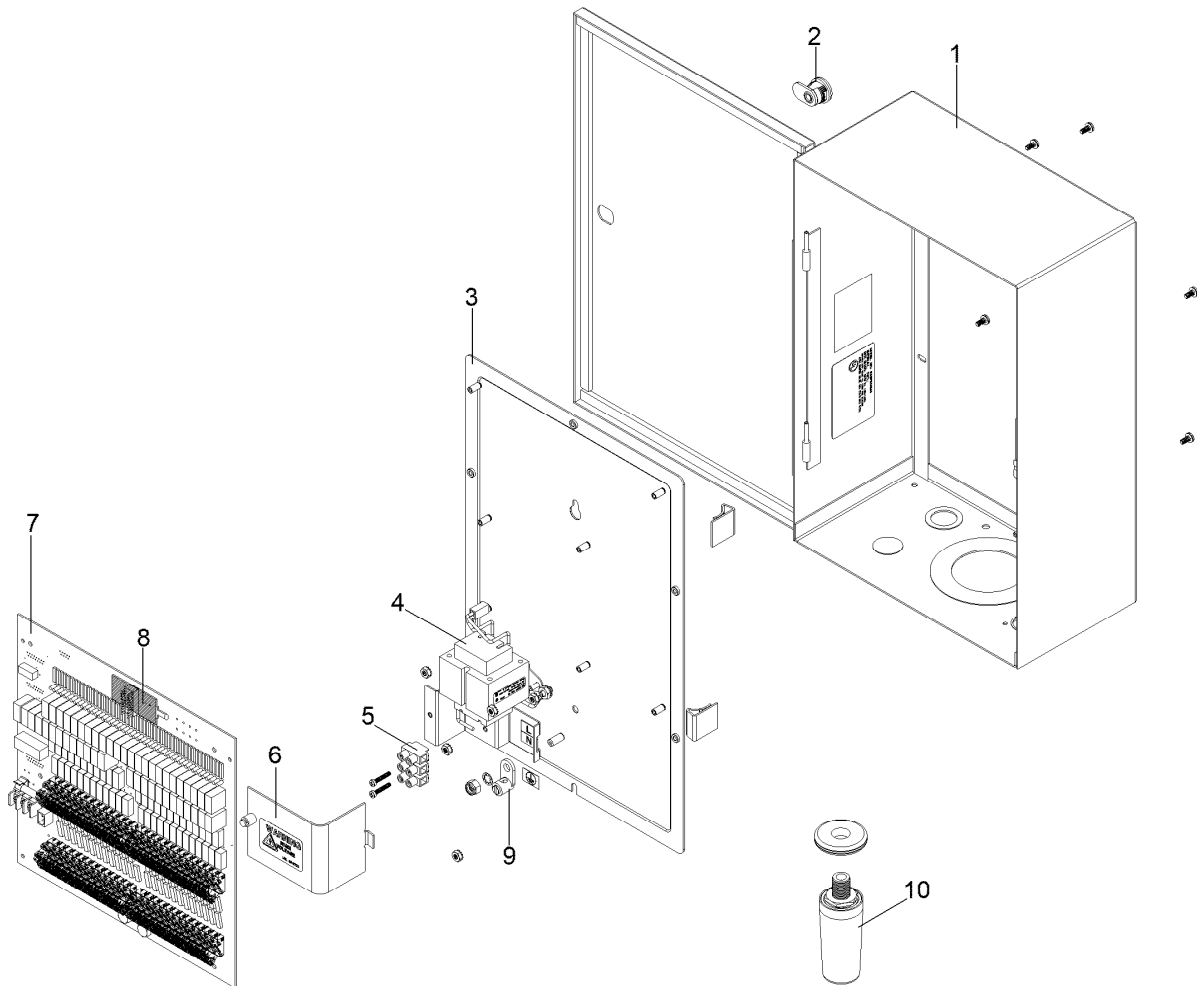
## DXi Wall-Mount, 2-Wire Controller

Ref.	Part Number	Qty.	Description
1	118-4749	1	Metal Enclosure, Wallmount, Stainless Steel
1	118-4750	1	Metal Enclosure, Wallmount, Painted
2	118-4649	1	Plate, Mount, Tray
3	118-7424	1	Timer Module Assy.
4	118-4724SK	1	Master Communication Pcb Assy. (Includes Item 5)
5	118-4732	1	Cover, Communication Board
6	118-7306SK	1	Master Valve/Sensor Pcb Assy. (Includes Item 7)
7	118-4731	1	Cover, Master Valve/Sensor Pcb
8	118-7099	1	2-Wire Decoder Pcb, AC (Includes Item 9)
9	118-4874	1	Cover, 2-Wire Decoder Pcb
10	363-8639	1	Ground Lug
11	118-6145	1	Junction Box Assy., Wallmount, Domestic



## DXi Wall Mount, 2-Wire, Wiring

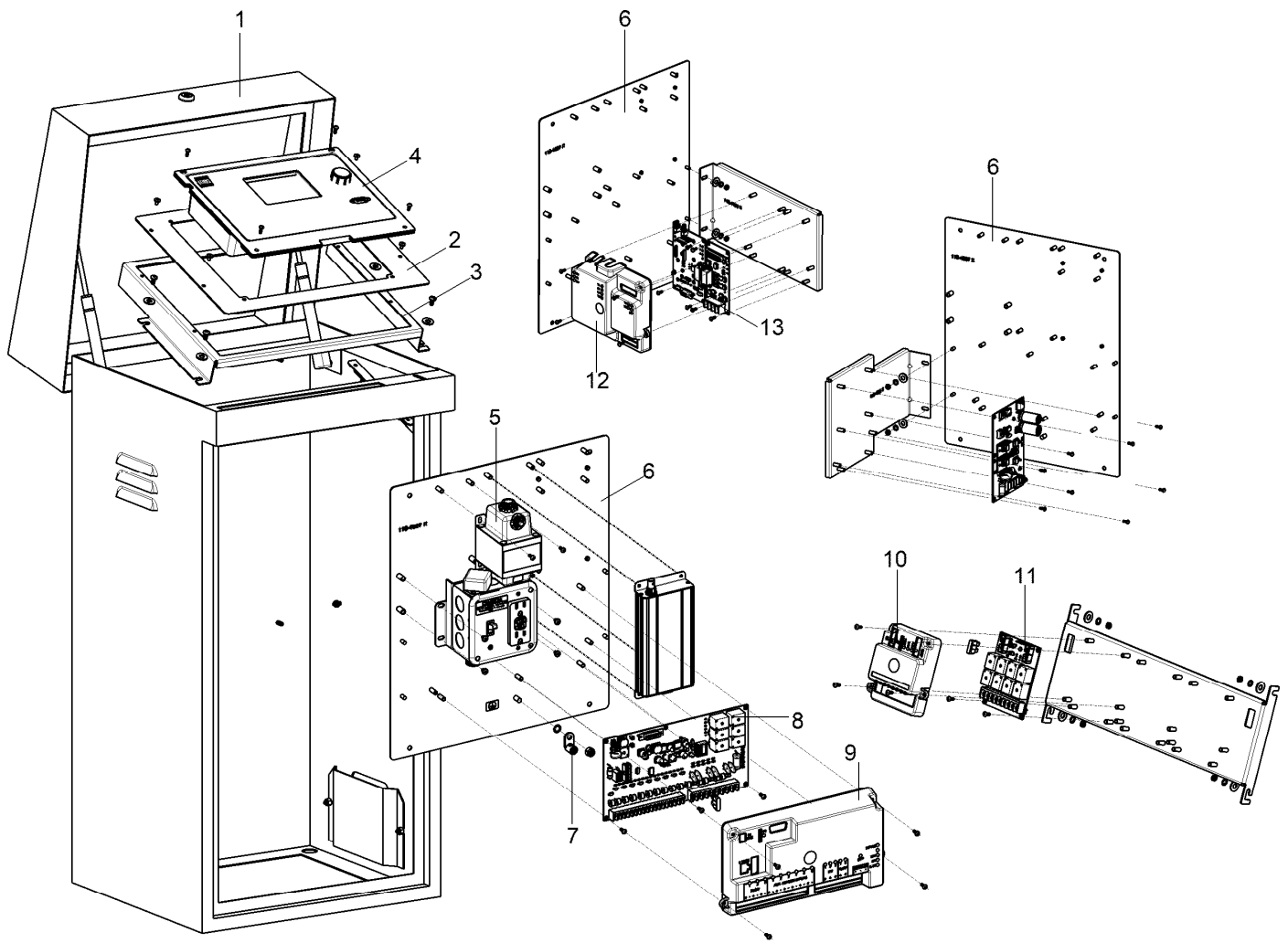
Ref.	Part Number	Qty.	Description
1	118-7176	1	Cable, Modem To Tm
2	118-4779	1	Assy., Ribbon Cable, Db25 W/Sr, 17 Inches, Rohs
3	817201	2	Wire Nut, 14Awg (2 Pieces), Rohs
4	118-5394	1	Assy., Power Cable, 2-Conductor
5	118-5393	1	Assy, Cable, 21



## DXi Wall-Mount, WOB Controller

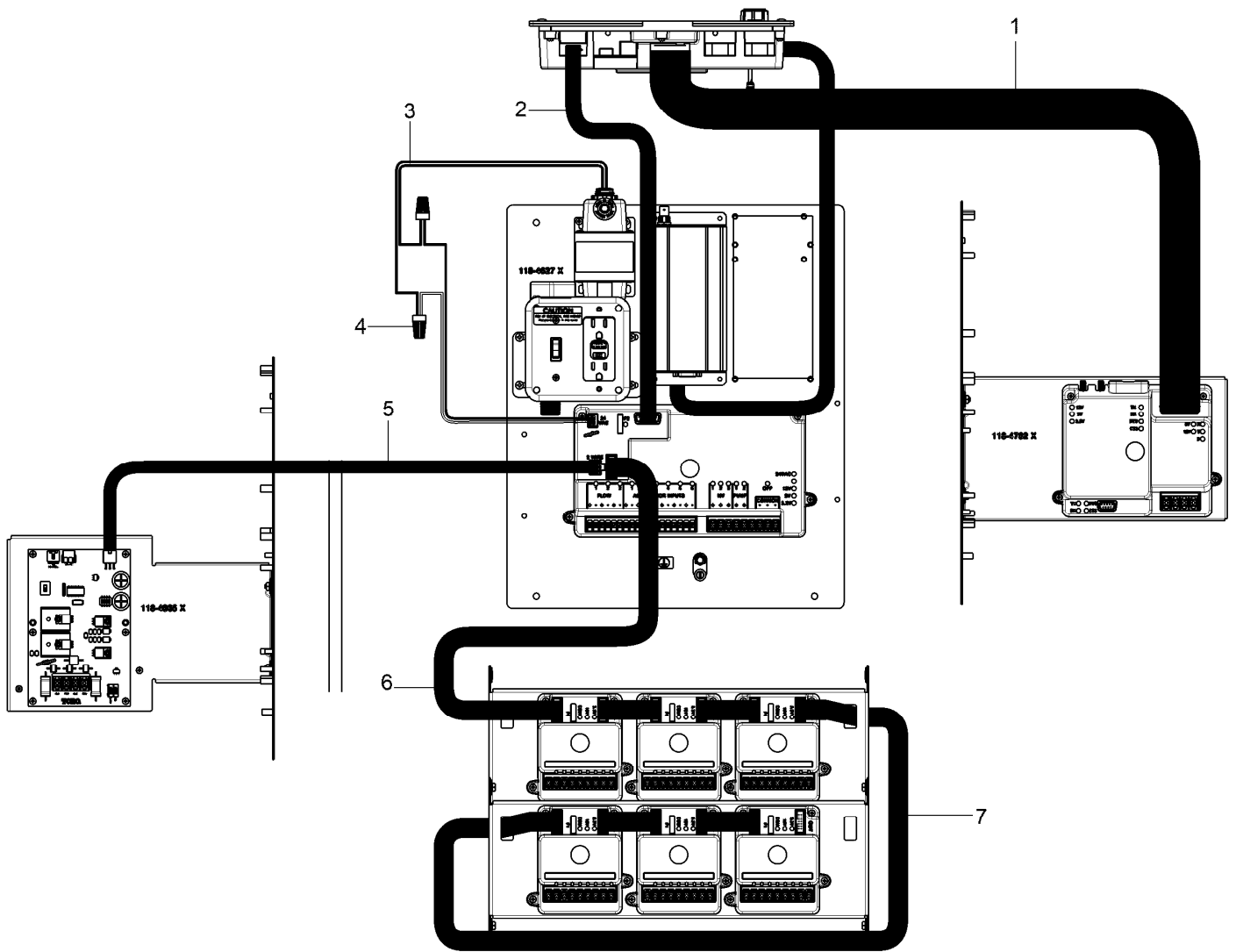
<i>Ref.</i>	<i>Part Number</i>	<i>Qty.</i>	<i>Description</i>
1	118-6025	1	Cabinet Assembly
2	363-1414	1	Lock
3	118-6028	1	Panel, Pc, Universal
4	118-0894	1	Transformer Assy, 115 V A.C., 50Va
5	363-8650	1	Terminal Block, 3-Position
6	118-6026	1	Transformer Cover
7	118-8190	1	12-Station Pcb, Wob
7	118-8191	1	24-Station Pcb, Wob
7	118-8192	1	36-Station Pcb, Wob
7	118-8193	1	48-Station Pcb, Wob
8	118-6617	1	Lr Wob Mod Pcb, 900Mhz
9	363-8639	1	Ground Lug
10	363-7124	1	Antenna, 902-925 Mhz





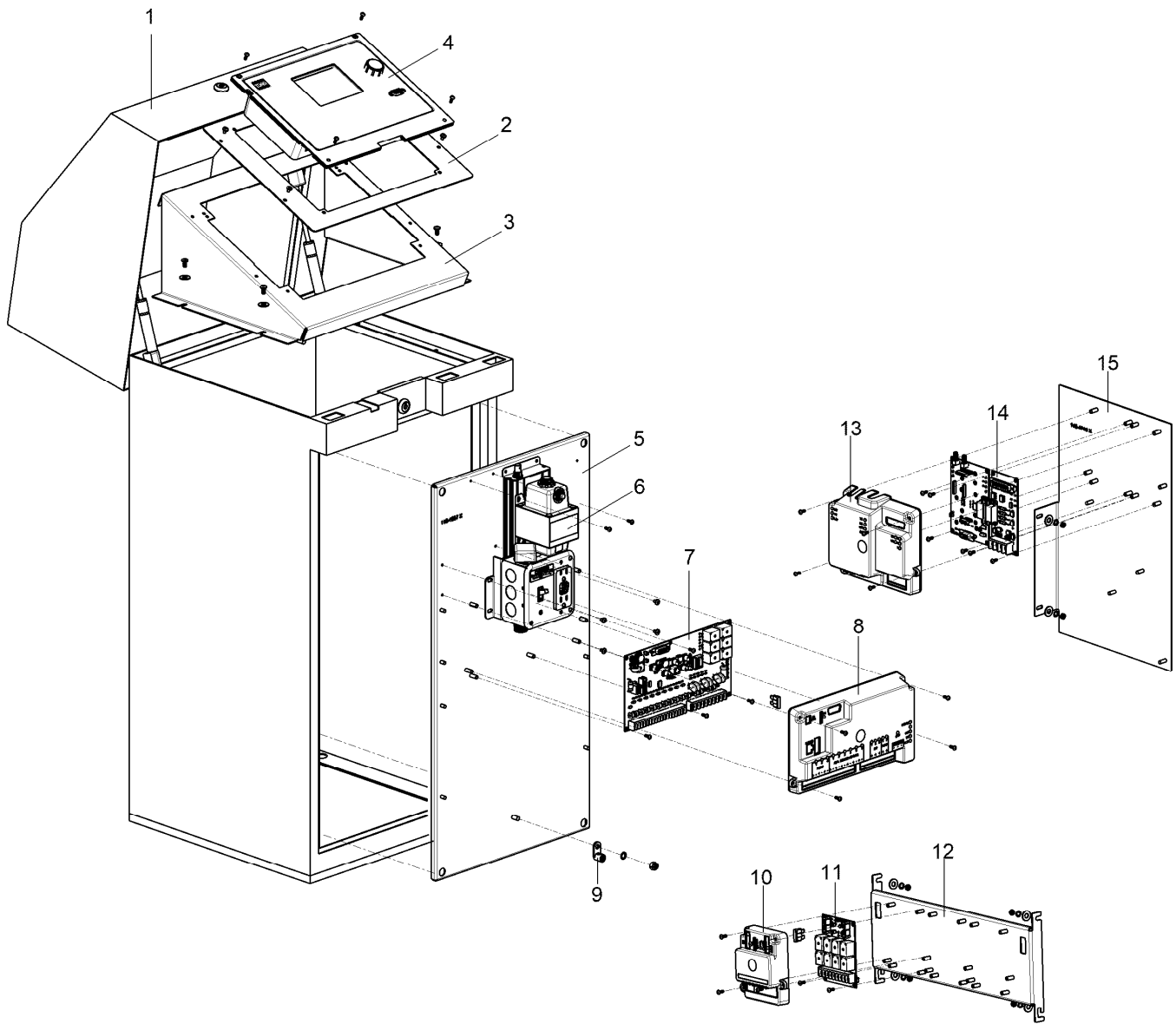
## DXi Metal Pedestal Controller

Ref.	Part Number	Qty.	Description
1	118-4734	1	Enclosure, Sped
2	118-4649	1	Plate, Mount, Tray
3	118-4078	1	Tray, Top, Universal
4	118-7424	1	Timer Module Assy.
5	118-6144	1	Power Supply, Junction Box, Domestic, Gfi
6	118-4627	1	Backplate, Sped
7	363-8639	1	Ground Lug
8	118-7306SK	1	Master Valve/Sensor Pcb Assy. (Includes Item 9)
9	118-4731	1	Cover, Master Valve/Sensor Pcb
10	118-4730	6	Cover, Output Board Pcb
11	118-4616SK	6	Output Board Assy. (Includes Item 9)
12	118-4732	1	Cover, Communication Board
13	118-4724SK	1	Master Communication Pcb Assy. (Includes Item 12)



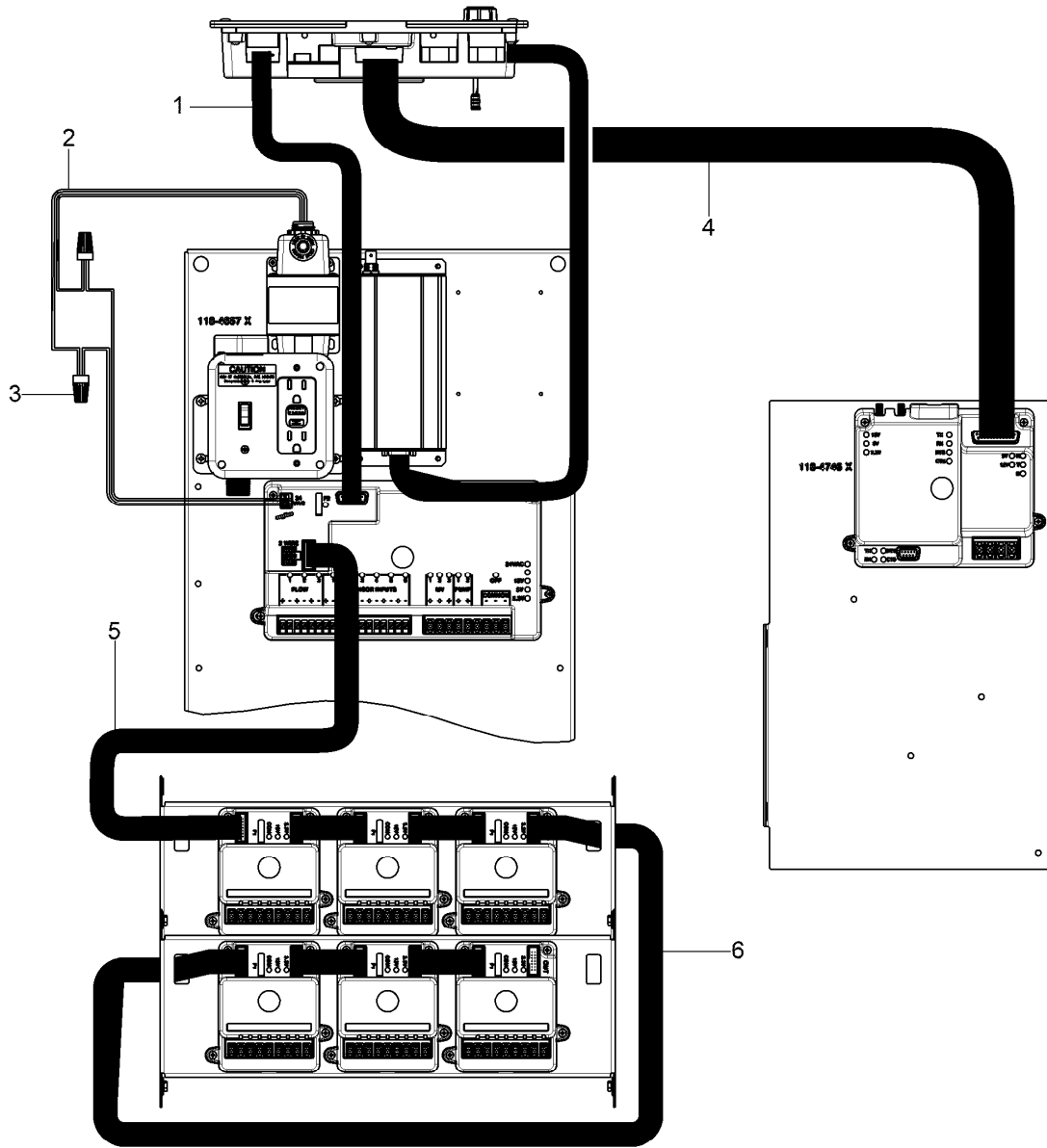
## DXi Metal Pedestal Wiring

Ref.	Part Number	Qty.	Description
1	118-4779	1	Assy., Ribbon Cable, Db25 W/Sr, 17 Inches, Rohs
2	118-4777	1	Assy, Ribbon Cable, Db15 W/Sr, 20.5 Inches, Rohs
3	118-5394	1	Assy., Power Cable, 2-Conductor
4	817201	2	Wire Nut, 14Awg (2 Pieces), Rohs
5	118-5393	1	Assy, Cable, 6 Conductor, 21 Inches
6	118-4773	1	Assy, Ribbon Cable, 14 Pos, 18 Inches
7	118-4774	1	Assy, Ribbon Cable, 14 Pos, 32 Inches



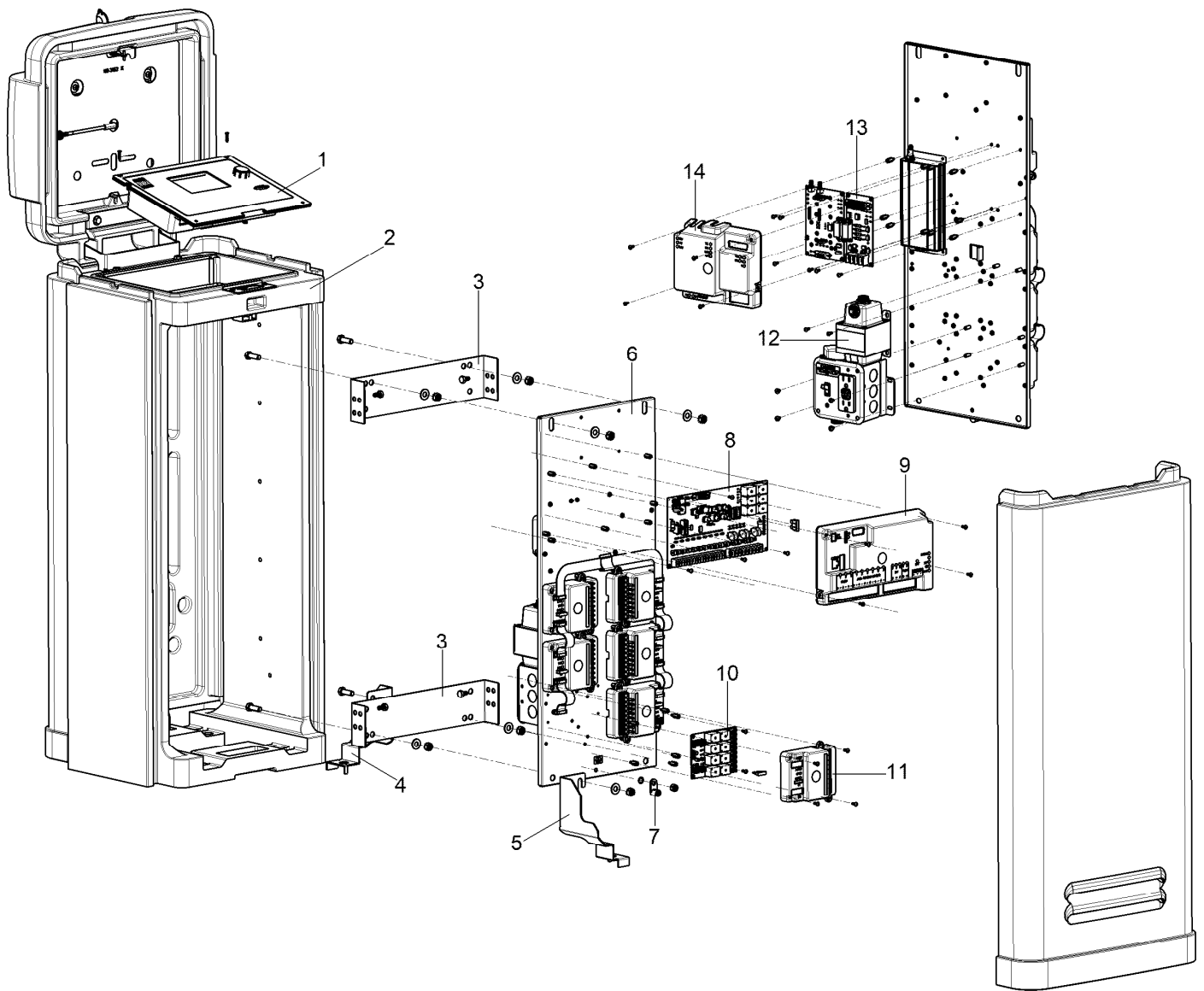
## DXi Large Metal Pedestal Controller

Ref.	Part Number	Qty.	Description
1	020-0330	1	Strong Box, Vit, Sb16-SS, Psb, Rohs
2	118-4649	1	Plate, Mount, Tray
3	118-5526	1	Tray, Top, SS Pedestal, Universal
4	118-7424	1	Timer Module Assy.
5	118-4657	1	Backplate, Psb
6	118-6144	1	Power Supply, Junction Box, Domestic, Gfi
7	118-7306SK	1	Master Valve/Sensor Pcb Assy. (Includes Item 8)
8	118-4731	1	Cover, Master Valve/Sensor Pcb
9	363-8639	1	Ground Lug
10	118-4730	6	Cover, Output Board Pcb
11	118-4616SK	6	Output Board Assy. (Includes Item 9)
12	118-4626	1	Slant Panel, Sped
13	18-4732	1	Cover, Communication
14	118-4724SK	1	Master Valve/Sensor Pcb Assy. (Includes Item 13)
15	118-4746	1	Bracket, Extension, Rt, Psb



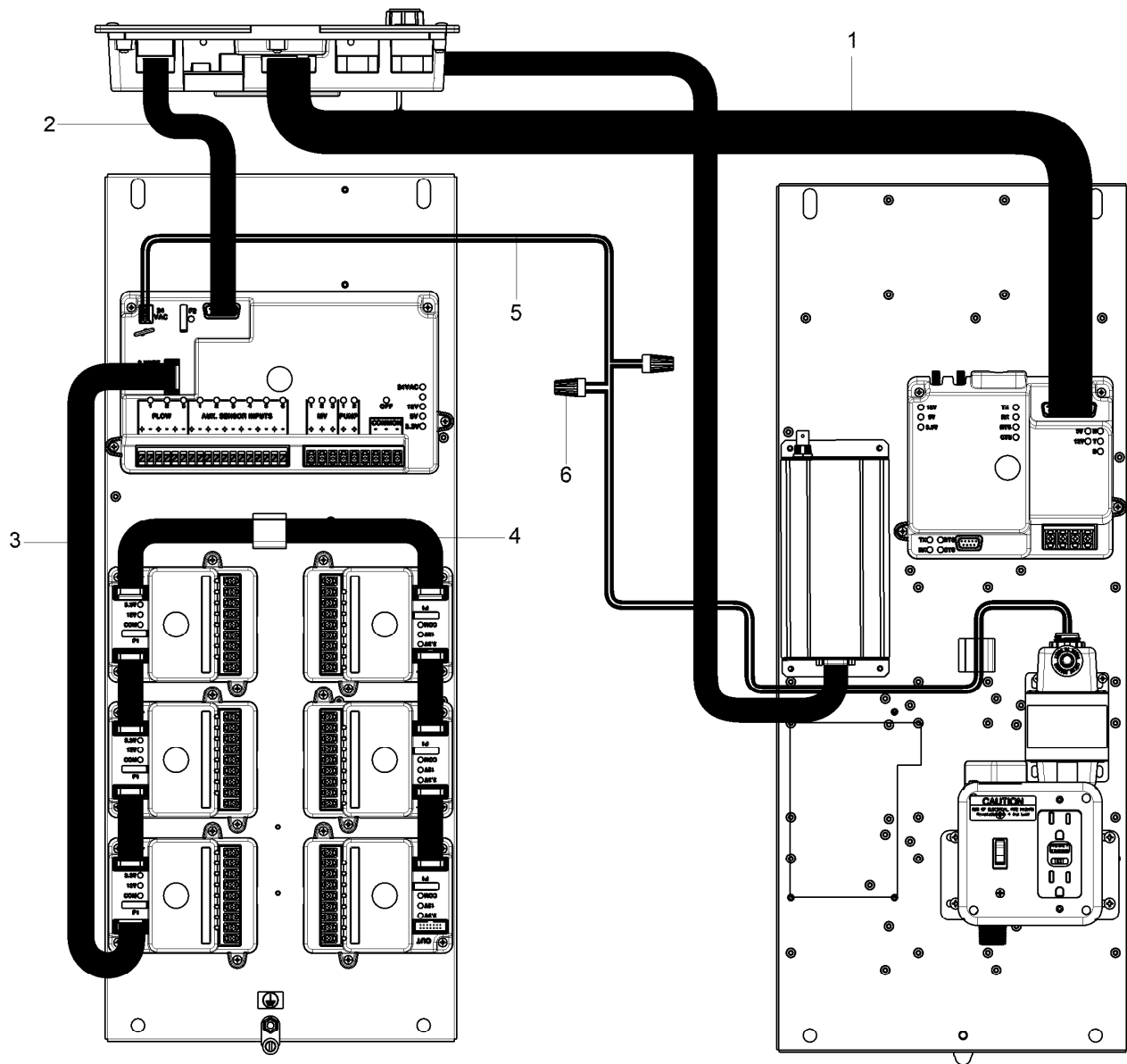
## DXi Large Metal Pedestal Wiring

Ref.	Part Number	Qty.	Description
1	118-4777	1	Assy, Ribbon Cable, Db15 W/Sr, 20.5 Inches, Rohs
2	118-5394	1	Assy., Power Cable, 2-Conductor
3	817201	2	Wire Nut, 14Awg (2 Pieces), Rohs
4	118-4779	1	Assy., Ribbon Cable, Db25 W/Sr, 17 Inches, Rohs
5	118-4773	1	Assy, Ribbon Cable, 14 Pos, 18 Inches
6	118-4774	1	Assy, Ribbon Cable, 14 Pos, 32 Inches



## DXi Plastic Pedestal Controller

Ref.	Part Number	Qty.	Description
1	118-7424	1	Timer Module Assy.
2	118-6111	1	Plastic Pedestal, Short, Green
3	118-1015	2	Bracket
4	102-3072	1	Foot Bracket, Mount
5	102-3073	1	Foot Bracket, Support
6	118-5005	1	Backplate, Plastic Pedestal
7	363-8639	1	Ground Lug
8	118-7306SK	1	Master Valve/Sensor Pcb Assy. (Includes Item 9)
9	118-4731	1	Cover, Master Valve/Sensor Pcb
10	118-4616SK	6	Output Board Assy. (Includes Item 11)
11	118-4730	6	Cover, Output Board Pcb
12	118-6144	1	Power Supply, Junction Box, Domestic, Gfi
13	118-4724SK	1	Master Communication Pcb Assy. (Includes Item 14)
14	118-4732	1	Cover, Communication Board



## DXi Plastic Pedestal Wiring

Ref.	Part Number	Qty.	Description
1	118-5393	1	Assy, Cable, 21 Inches
2	118-7176	1	Cable, Modem To Tm
3	118-7399	1	Assy, Ribbon Cable, 14 Pos, 25 Inches
4	118-4722	1	Assy, Ribbon Cable, 14 Pos, 14 Inches
5	118-5394	1	Assy., Power Cable, 2-Conductor
6	817201	2	Wire Nut, 14Awg (2 Pieces), Rohs

**Notes:**



**Count on it.**